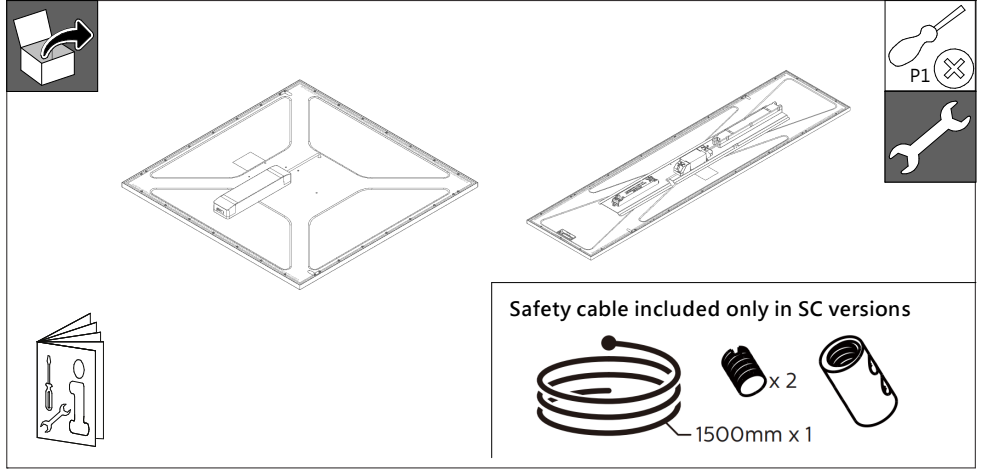


PHILIPS

SlimBlend Gen2,
including Emergency versions

RC330V / RC332V



220V
240V

50Hz
60Hz



LIFE
L90
50k hrs



ta
25°C

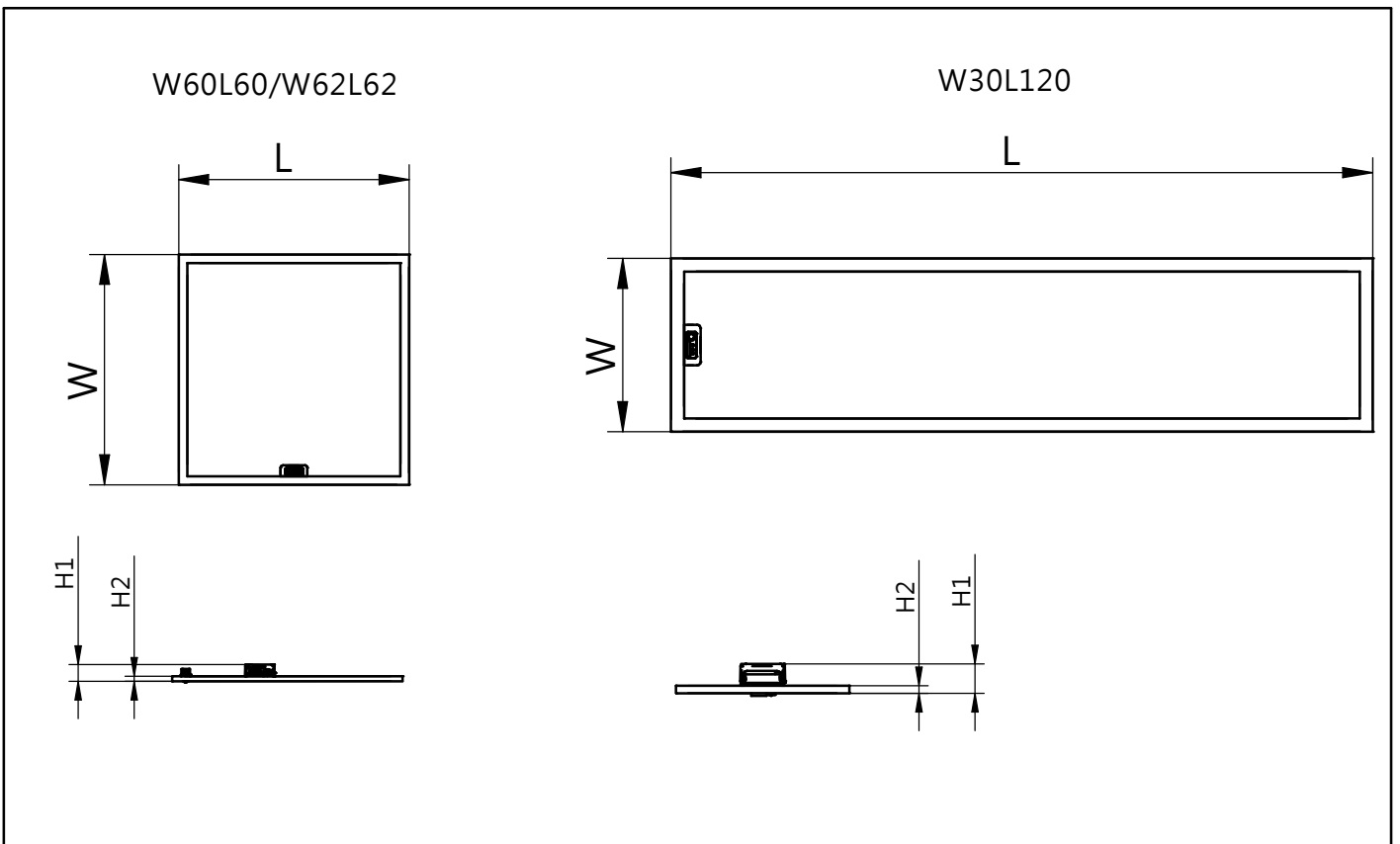
IK03

Max.
35°C
Min.
0°C




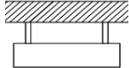

GLOW
WIRE
650°C



		L (mm)	W (mm)	H1/H2 (mm)	Weight (kg)	Light source class	IP	Sensor
RC330V	W60L60	595	595	43/13	3,2	D	OPT IP44/IP20	NO
	W30L120	1195	295	43/13	3,3		OPT IP44/IP20	NO
RC332V	W62L62	620	620	43/13	3,3		OPT IP44/IP20	NO
RC330V	W60L60	595	595	43/13	3,2	D	IP20	YES
	W30L120	1195	295	43/13	3,3		IP20	YES
RC332V	W62L62	620	620	43/13	3,3		IP20	YES



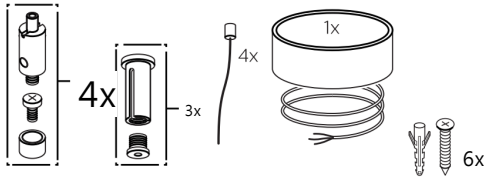
583 - 442280114052
Error: No reference
© Signify Holding All rights reserved

 <p>VPC visible profile ceiling</p>	 <p>CPC concealed profile ceiling</p>	 <p>PCV plaster ceiling</p>	 <p>SP suspended</p>
 <p>SM surface mounted</p>			

Available as accessory (Need to purchase separately)

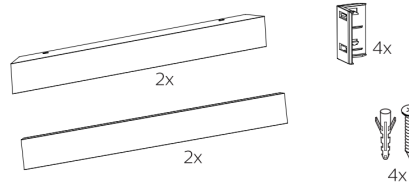
Suspension set:

- 911401809487 RC159Z Suspension set SME-3 WH (For SEIA/WIA)
- 911401809387 RC159Z Suspension set SME-4 WH (For PSD/DEIA)



Surface mounted kit :

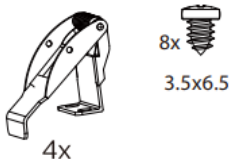
- 911401807787 RC159Z SMB W60L60
- 911401807887 RC159Z SMB W62L62
- 911401807987 RC159Z SMB W30L120



Recessed mounting -

Mounting clips for plastered ceilings

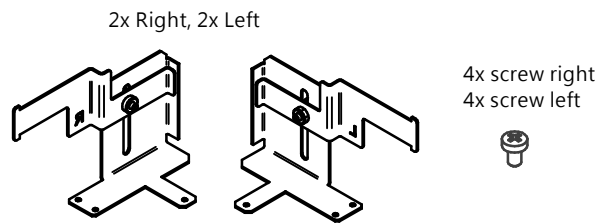
- 911401809287 RC159Z Plaster Ceiling SMB-PLC



Recessed mounting -

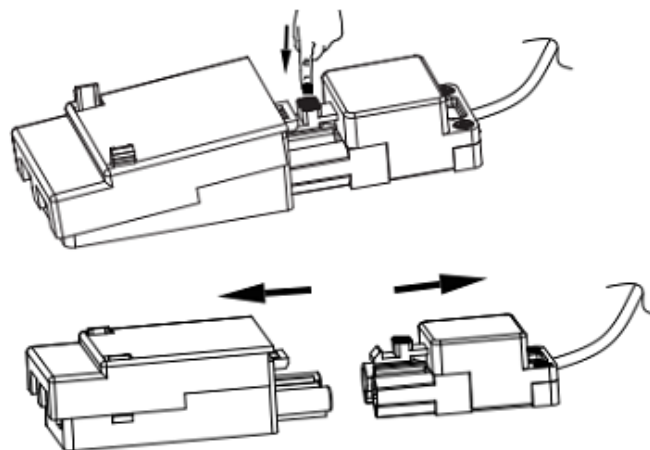
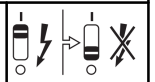
Mounting brackets for ceiling systems with concealed profile

- 910505102499 RC330Z SMB-CPC
- 910771147888 RC330Z SMB-CPC RC



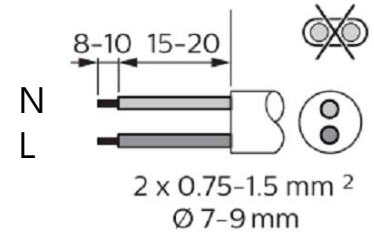
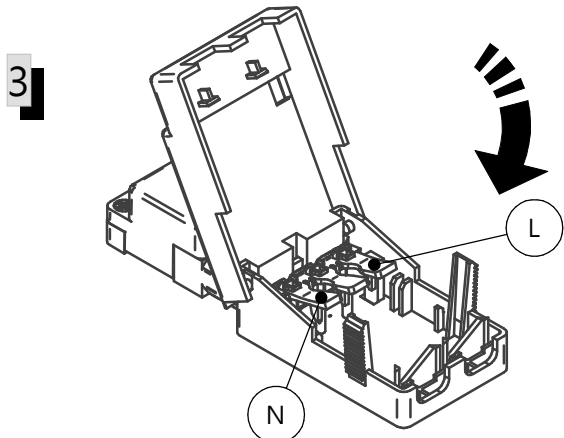
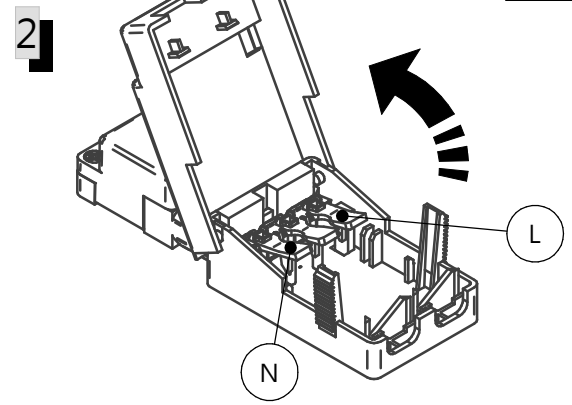
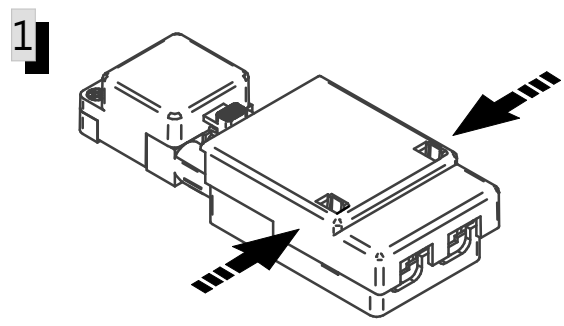
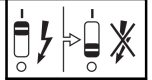
Versions with QuickConnector (integrated PushIn Connector with Pull relief)

PSD/DEIA/WIA/SEIA

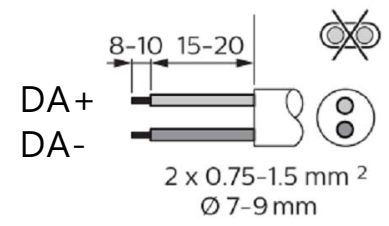
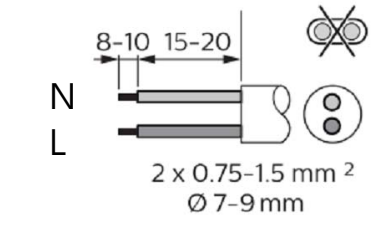
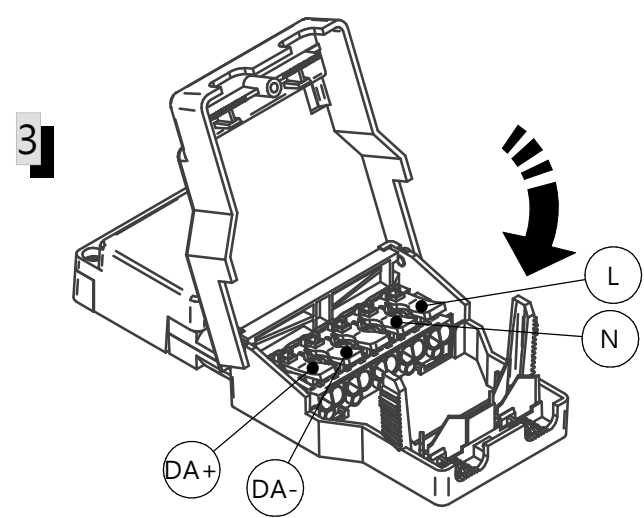
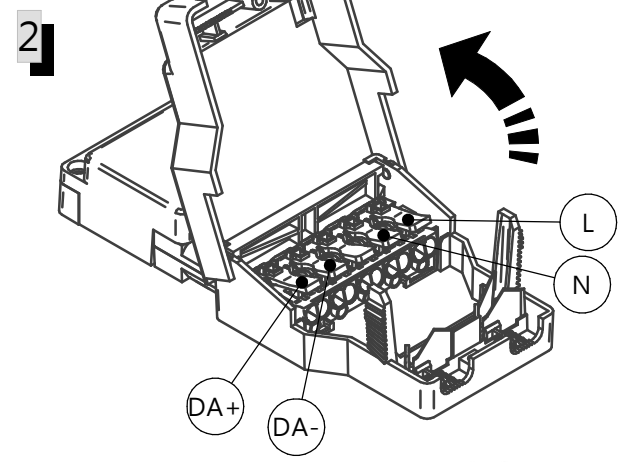
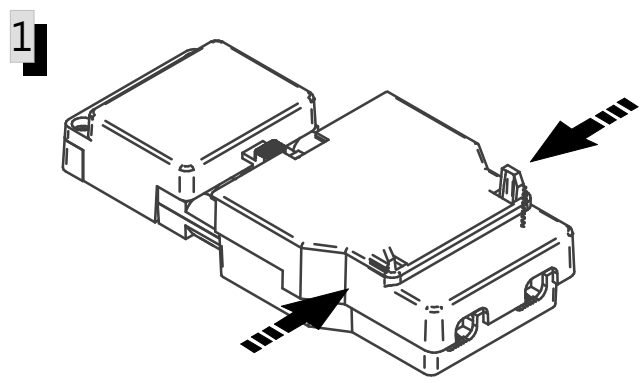
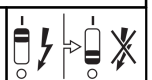


Through wiring is not possible, but the quick connector allows loop through wiring

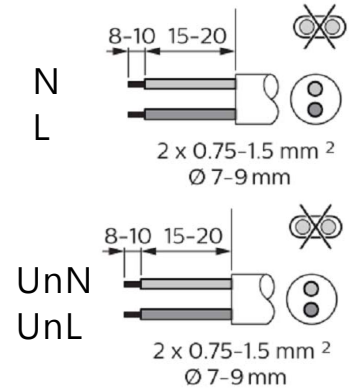
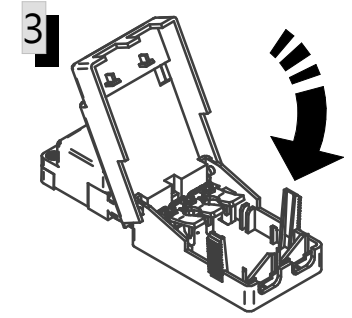
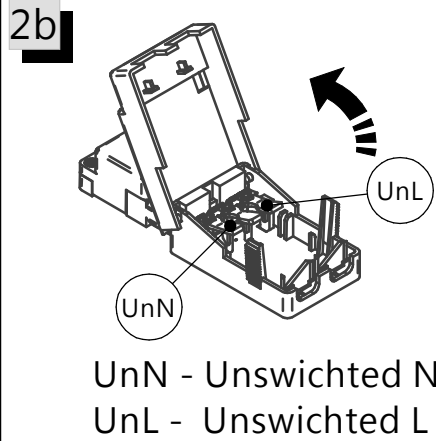
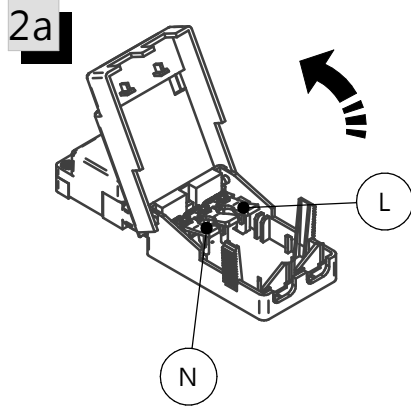
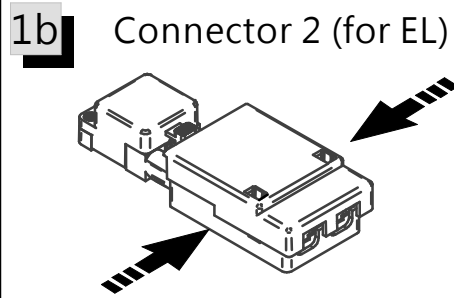
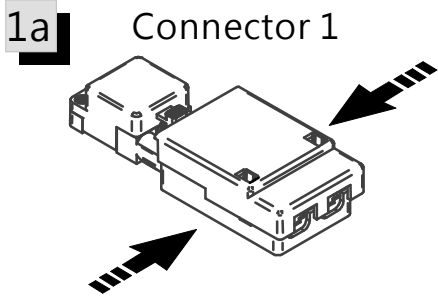
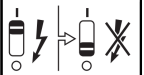
WIA/SEIA



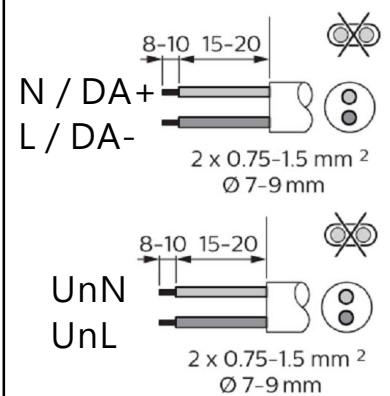
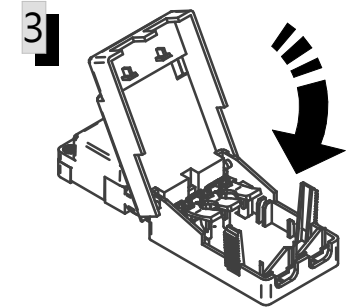
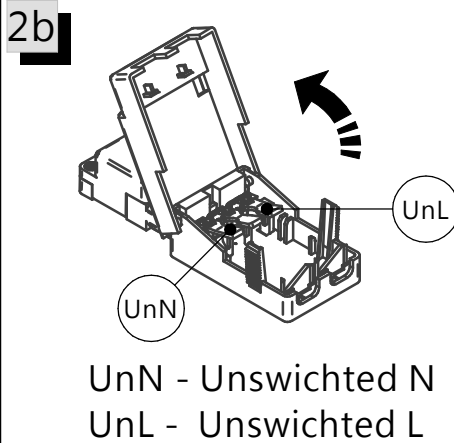
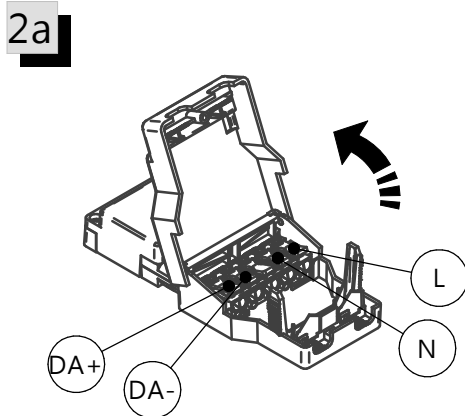
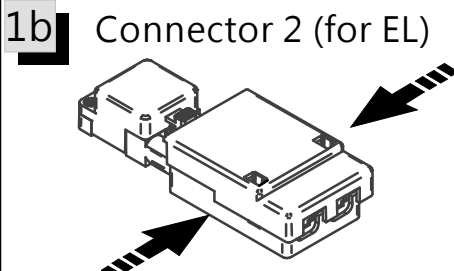
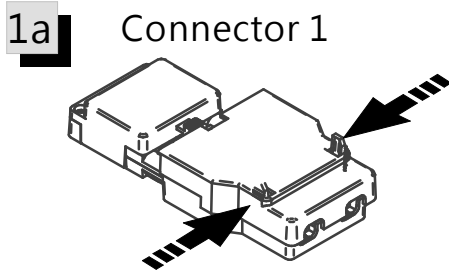
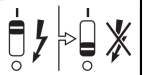
PSD/DEIA



WIA EL / SEIA EL



PSD EL / DEIA EL

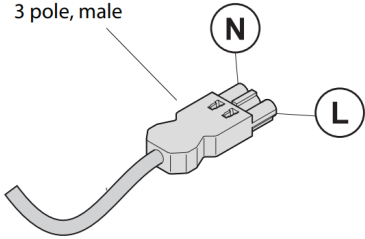




Versions with Wieland compatible connector (W3, W3W2, W4, W4W2, W5)

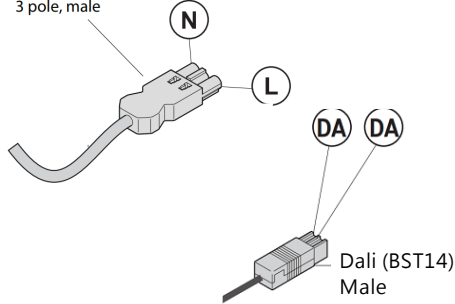
W3

Connector GST18i3,
3 pole, male



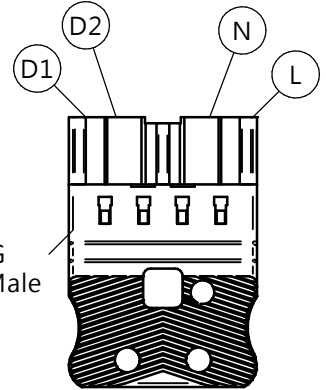
W3+W2

Connector GST18i3,
3 pole, male

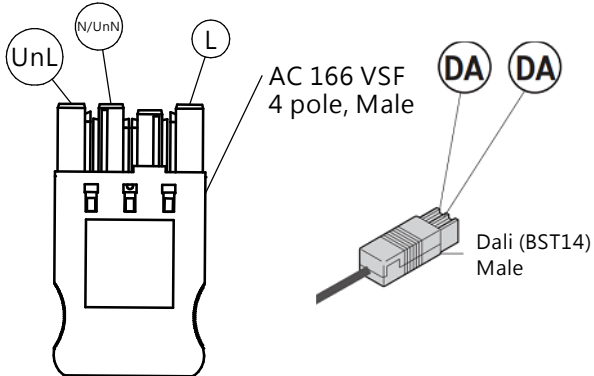


W5

AC 166 G
5 pole, Male



W4 +W2 (For Emergency versions)

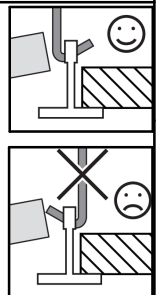
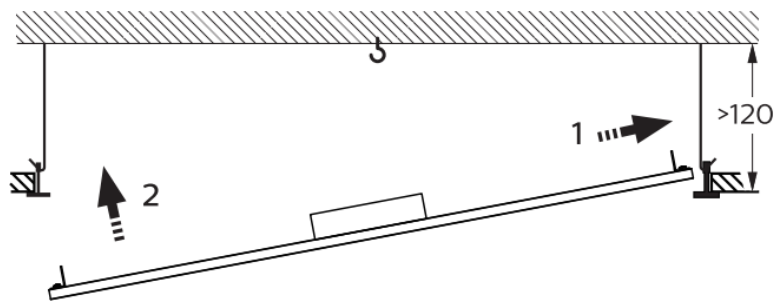


If the external flexible cable or cord of this luminaire is damaged, it shall be replaced by a special cord or cord exclusively available from the manufacturer or his service agent

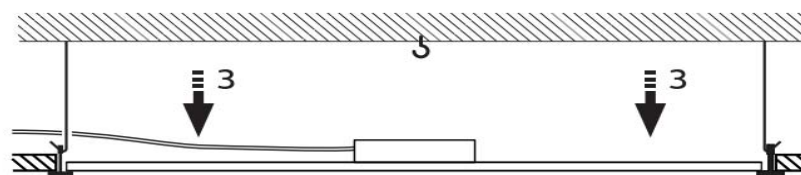


VPC - Visible Profile Ceiling/ Lay-in mounting

1

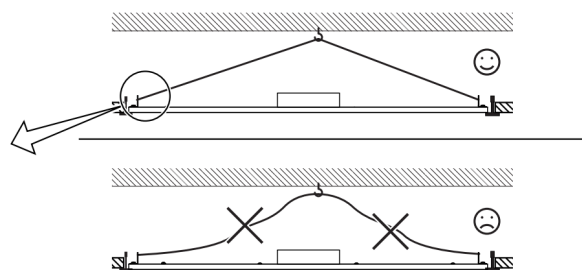
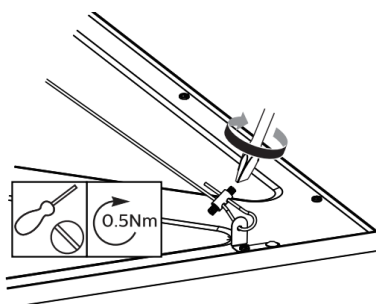


2



Safety cable (SC)

3



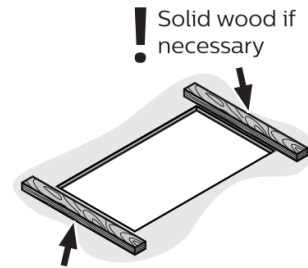
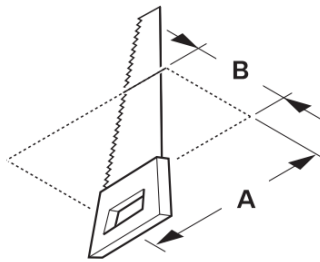


PCV - Recessed mounting in plastered ceilings

(911401879284 - RC330Z SMB-PLC)

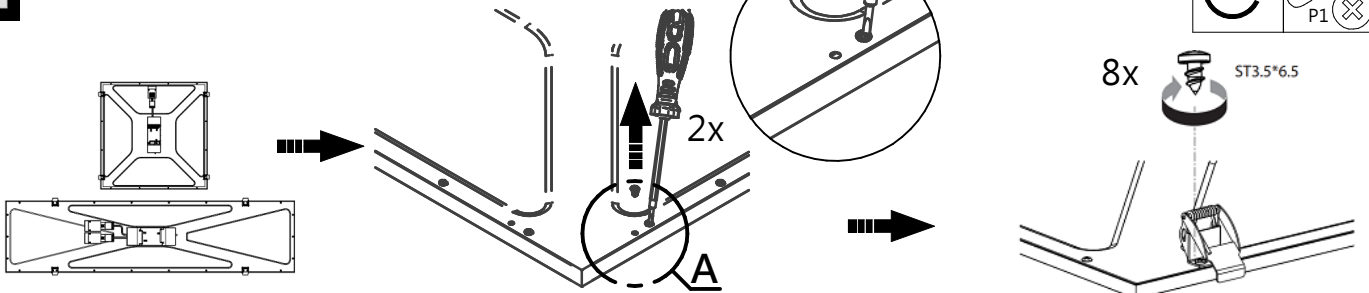
1

	A (mm)	B (mm)
W60L60	580	580
W30L120	1180	280
W62L62	605	605

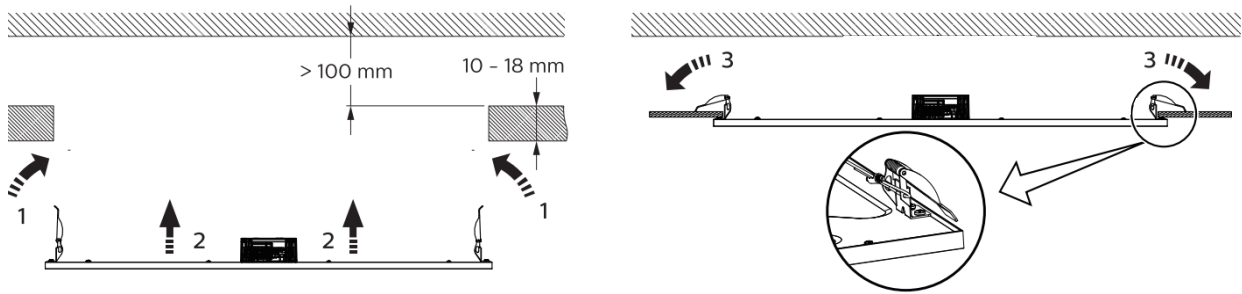


2

Brackets have to be mounted to luminaire



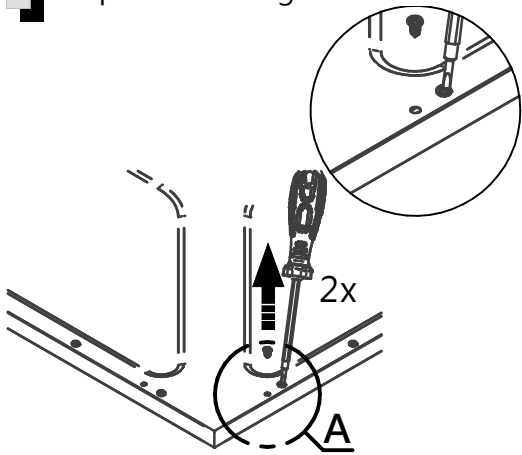
3



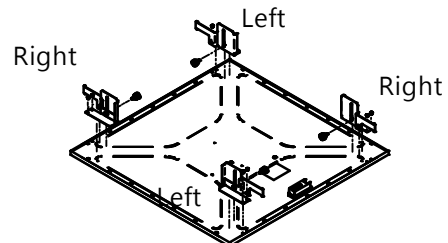
CPC - Recessed mounting in Concealed profile ceilings - Brackets have to be ordered separately

1

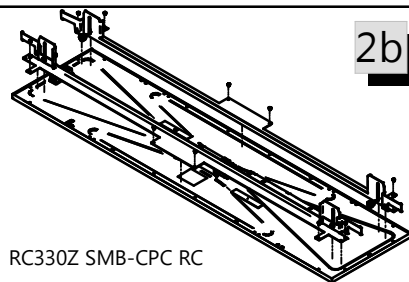
Replace the original screws



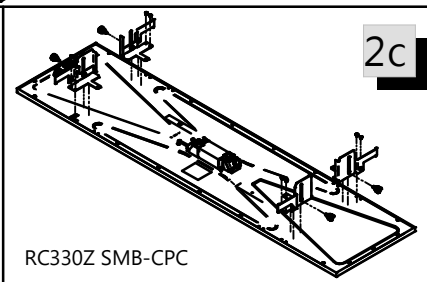
2a



2b

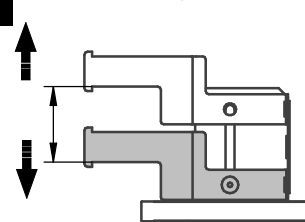


2c

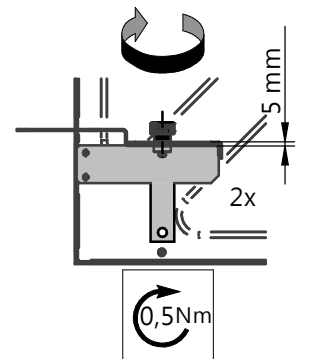
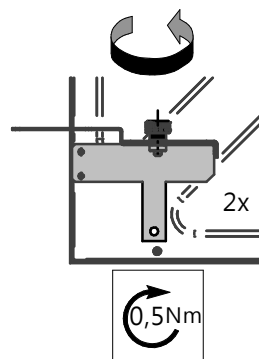
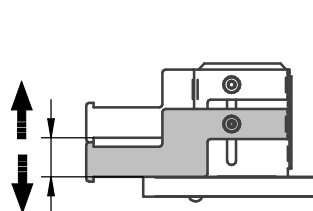


3

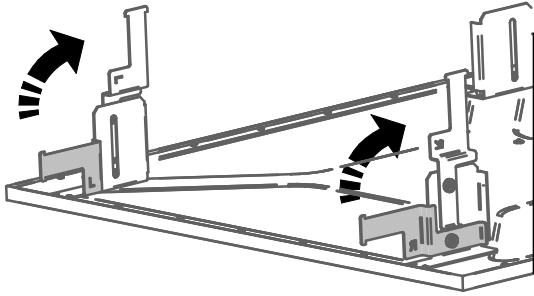
26-76 mm position



0-26 mm position



4



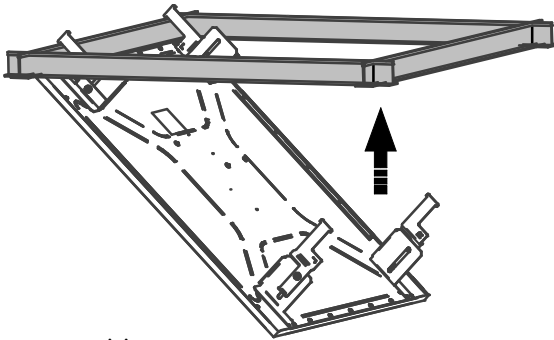
26-76 mm position

5



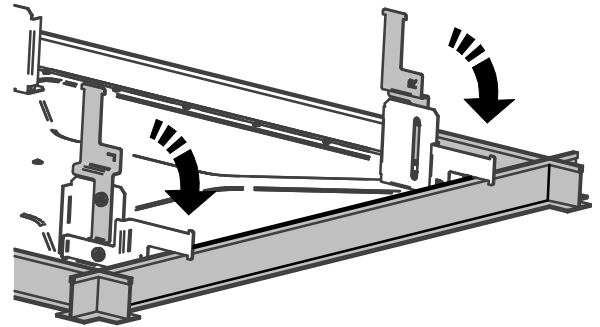
26-76 mm position

6



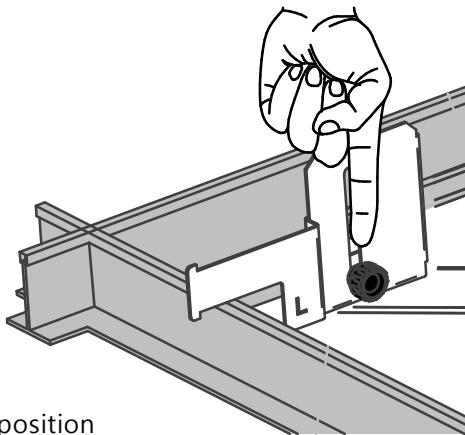
26-76 mm position

7



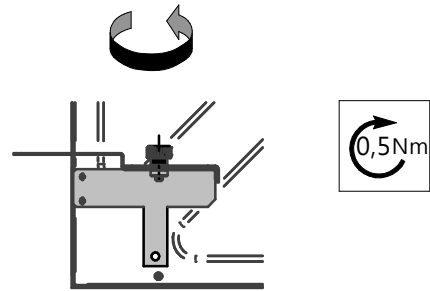
26-76 mm position

8



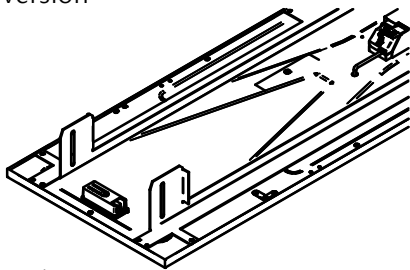
26-76 mm position

9

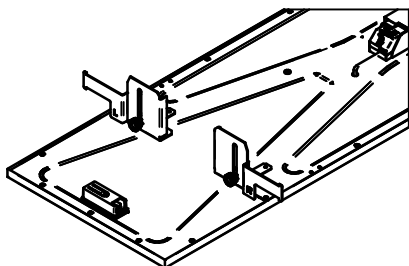


26-76 mm position

For Rectangular version
Short edge version



Long edge version



sym-concealed



Rect. ✓ 😊
 Square ✓ 😊

A-sym-concealed



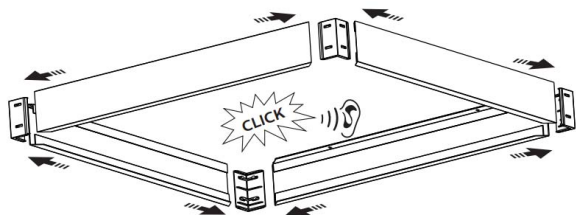
Rect. ✗ 😞
 Square ✗ 😞

26-76 mm position

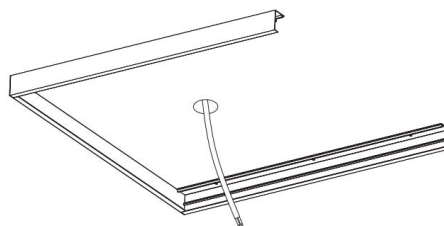


Surface mounted (Not for WIA versions, not for ELW3, ELP3, ELD3 versions. Can be used for all other versions)

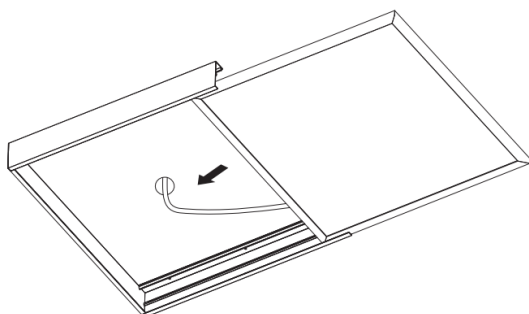
911401807787 - RC159Z SMB W60L60, 911401807887 - RC159Z SMB W62L62, 911401807987 - RC159Z SMB W30L120



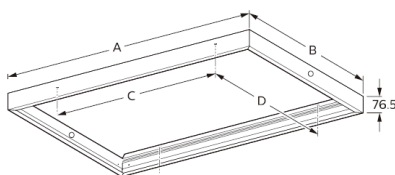
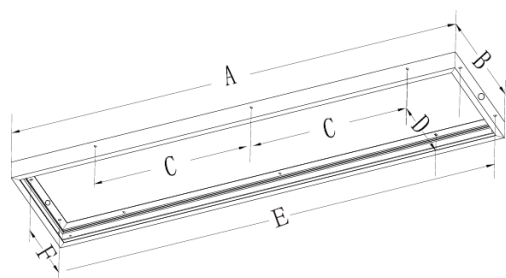
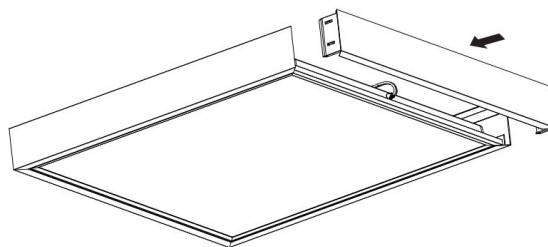
1



2



3



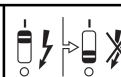
	A (mm)	B (mm)	C (mm)	D (mm)	E (mm)	F (mm)
W60L60	615.5	615.5	335.5	580	-	-
W62L62	640.5	640.5	335.5	580	-	-
W30L120	1215.5	315.5	855.5	280	1180	210



Suspension set (Not for ELW3, ELP3, ELD3 versions. Can be used for all other versions):

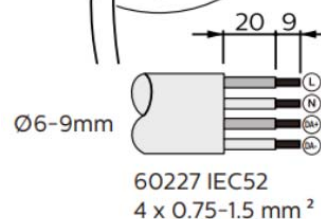
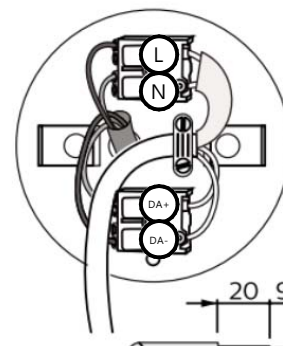
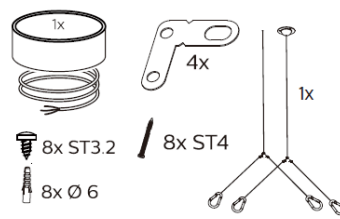
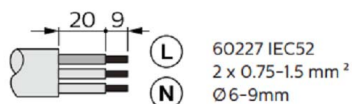
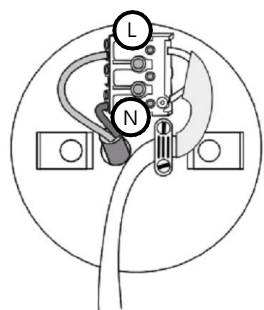
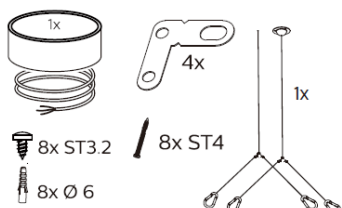
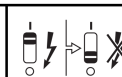
SEIA/WIA

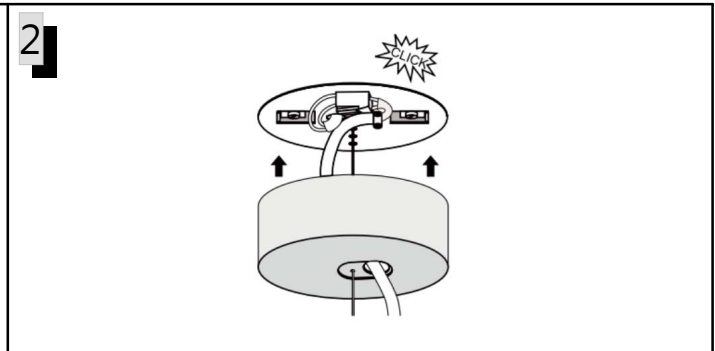
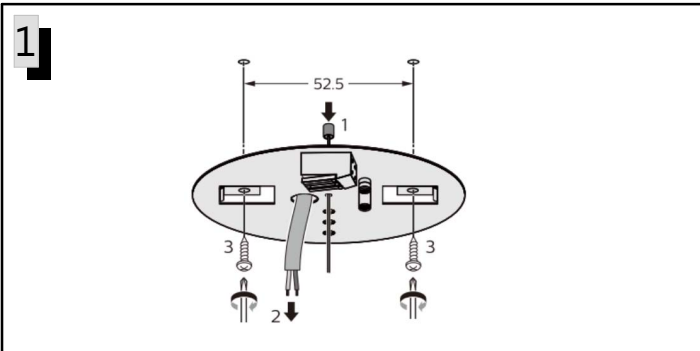
911401809487 - RC159Z Suspension set SME-3 WH



PSD/DEIA

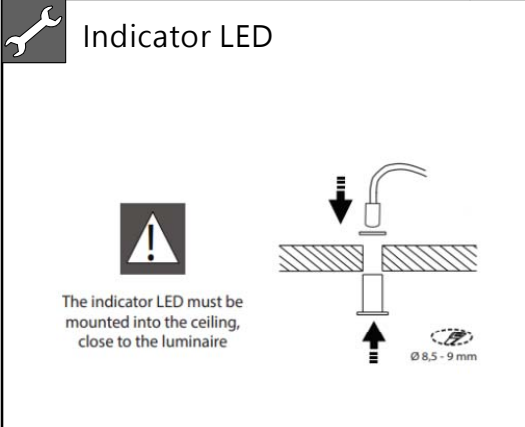
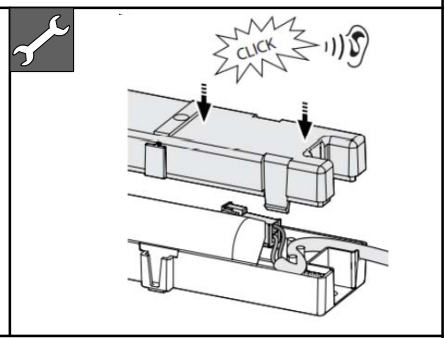
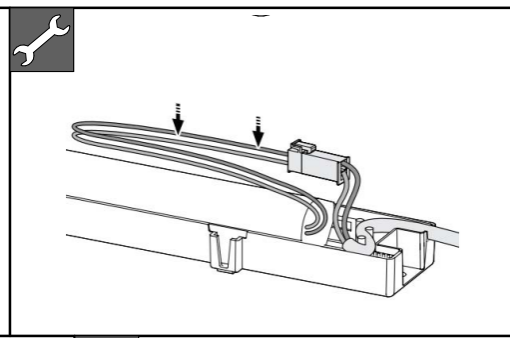
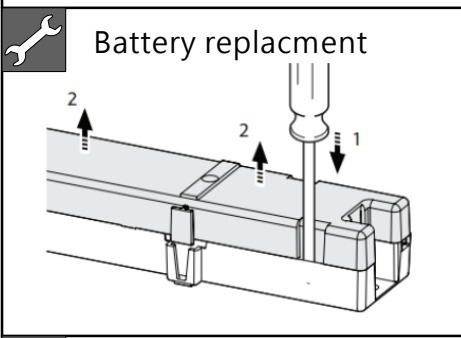
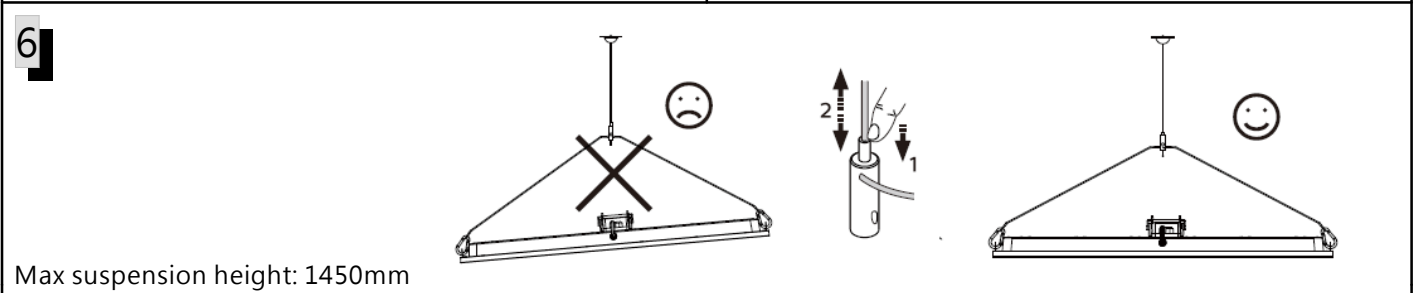
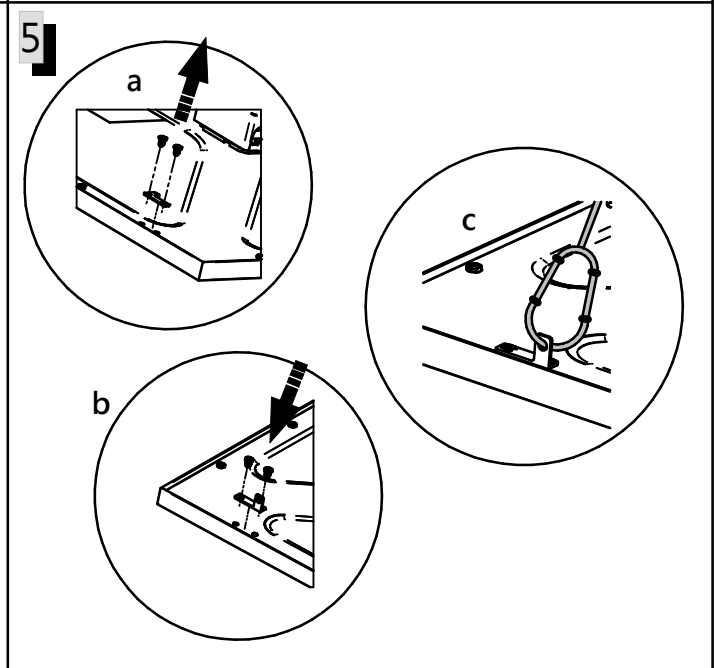
911401809387 - RC159Z suspension set SME-4 WH





3

	L (mm)
W60L60	329
W62L62	329
W30L120	500



Emergency luminaires with battery (ELD3, ELP3, ELW3)

In case a self-contained driver has been added, this is how to set the timers (IEC62034 (6.3.2.)):

Dali version (ELD3): Check IEC 62369 part 202,

PRO version (ELP3): The first test is randomized. Then a fixed schedule is maintained there is no need to set the timers or take special precautions when powering,

Sensor version (ELW3): ELW types are shipped with Emergency Inhibit Mode on. To enable normal emergency operation, commissioning is needed through Interact Enterprise.



- The luminaire shall be installed by qualified electrician and wired in accordance with the latest IEE electrical regulations or the national requirements.
- The light source contained in this luminaire is non user replacable, it shall only be replaced by the manufacturer or his service agent or a similar qualified person
- During the installation or maintaining the luminaire please use gloves to avoid spots on the cover.
To remove dirt and spots use the following:
 - Dust: use micro fiber cloths only.
 - Fingerprints, etc.: use cleaner for synthetic materials with antistatic properties.
- Luminaires not suitable for covering with thermally insulating material.
- For controllable luminaires, the classification of the insulation between LV supply and control conductors shall be basic insulation at least.
- Luminaires must not be used or stored in corrosive environment where hazardous materials such as Sulphur, Chlorine, Phthalates, etc., are present.

Battery Unit (LFP)	
Manufacturer:	Philips
Unit:	TrustSight 3.2V 3cell 4500mAh battery LFP+
Technology:	Lithium-ion
Luminous flux:	270 lm
Capacity:	4500 mAh
Power:	2 W
Duration:	3H
Nominal voltage:	3.2 V
Lifetime (Tc: 55°)	6 years in operation

Battery Unit (NiMH)	
Manufacturer:	Philips
Unit:	TrustSight 3.6V 3cell 4000mAh battery NiMH
Technology:	Nickel metal hydride
Luminous flux:	270 lm
Capacity:	4000 mAh
Power:	3 W
Duration:	3H
Nominal voltage:	3.6 V
Lifetime (Tc: 50°)	4 years in operation

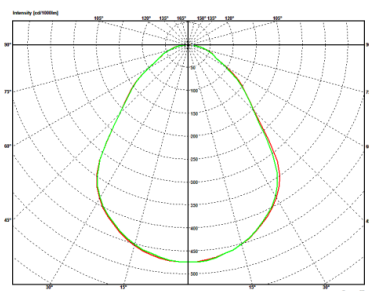
The battery of this self-contained emergency luminaire is not a user serviceable item and shall be replaced by a competent person, the manufacturer or its service agent.

The default battery type is LFP, In view of scarcity also NiMH accus might be used.
Please check luminaire before ordering spare batteries.

Polar diagrams for EL versions

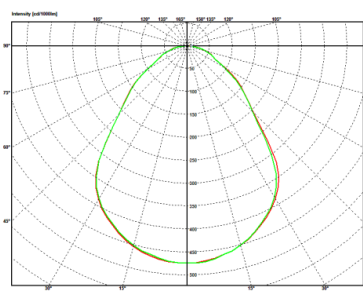
W60L60 MXO

Rated luminous flux in emergency operation mode: 270 lm



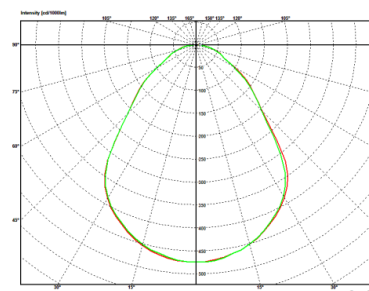
W60L60 OC

Rated luminous flux in emergency operation mode: 270 lm



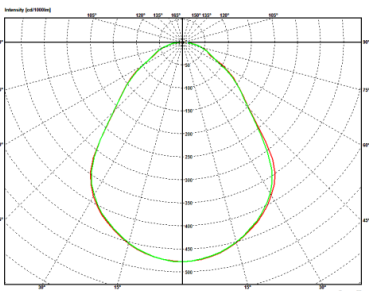
W62L62 MXO

Rated luminous flux in emergency operation mode: 270 lm



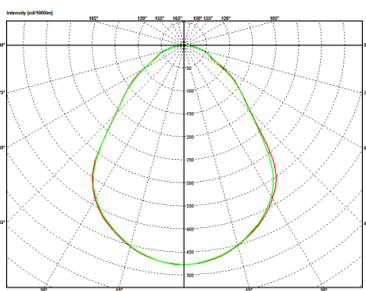
W30L120 OC

Rated luminous flux in emergency operation mode: 270 lm



W30L120 MXO

Rated luminous flux in emergency operation mode: 270 lm



DEIA or SEIA versions, lumen output on DC supply : - for 36S: 480lm
- for 42S: 550lm

DC:
186-240V

Charging time



Battery lifetime

The batteries have a life time expectancy of 6 years when maintained properly, see the TrustSight GEN3+ datasheet. Contact your Signify representative in case of any additional questions.

Automatic battery selection

The TrustSight emergency drivers are equipped with an automatic battery detection feature. Depending on the technology of the connected battery, the driver will charge the battery accordingly and will detect the number of cells in the battery pack. The resulting output power during emergency mode will be set according to the detected amount of battery cells (see datasheet for details). After installation and power up the driver will detect the battery and start the automatic detection process.

- During automatic detection, the indicator LED will light up with short green flashes.
- Between minimum 6 and maximum 30 seconds the TrustSight driver will set the battery type (number of cells) and will set the emergency output power accordingly.

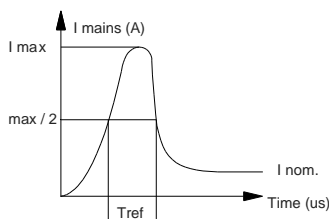
After that, the system is defined and fully operational. The battery type definition has influence on the performance during the self-test and on the battery charge method. When the automatic battery detection process is disrupted, e.g. by switching off the permanent mains, the detection process is stopped and the TrustSight emergency driver will go into emergency mode with the lowest output power. At a next power up, the automatic detection process will start again. The automatic battery detection should be executed with nominally charged batteries. Overcharged or deep-discharged batteries will cause an incorrect detection of the battery pack.

In the instruction leaflet supplied with the self-contained emergency luminaire, the manufacturer shall state that the replacement of the battery or of the whole luminaire (if having non replaceable lamp(s) and/or battery) is needed when they no longer meet their rated duration of operation after the corresponding recharger period

The ESSS of a self-contained emergency luminaire is not a user serviceable item and shall only be replaced by a competent person.

LED indicator status

LED indicator (color / flashing)	Error condition	Cause	Solution
Green / no flashing		System OK, battery fully charged	
Off		Mains off, EM mode, Rest mode, test in progress	
Green / slow (0.25s on, 1.25s off)		System OK, battery is charging	
Green / fast (0.25s on, 0.25s off)		System OK, recently tested (< 5 days, Australia mode only)	
Red / no flashing	Battery voltage too high or too low	No battery connected	Connect battery
		Wrong or bad battery connected	Replace battery
Red / fast (0.25s on, 0.25s off)	Output voltage too low or too high	Wrong LED load connected	Connect right load and perform functional test
		No load connected or output shorted	Connect right load and perform functional test
Red / slow (0.25s on, 1.25s off)	Failed test due to battery	Battery end of life	Replace battery and perform duration test.
		Charger failure	Replace driver
Red-green / fast		DALI device identification	
Fast flashing: (on-time = 0.25s, off-time = 0.25s) Slow flashing: (on-time = 0.25s, off-time = 1.25s)			
Green / short on-time = 50ms, off-time = 0.95s		Battery detection	



	PSD/DEIA	PSD/DEIA EL	WIA	SEIA
Electrical characteristics				
I_{max} (A)	5,5	20,4	4,8	9
T_{red} (μs)	55	195	56	25
MCB	No. of luminaires max.			
B-10 A	20	15	31	20
B-16 A	32	24	50	32
C-10 A	33	24	52	33
C-16 A	54	40	85	54

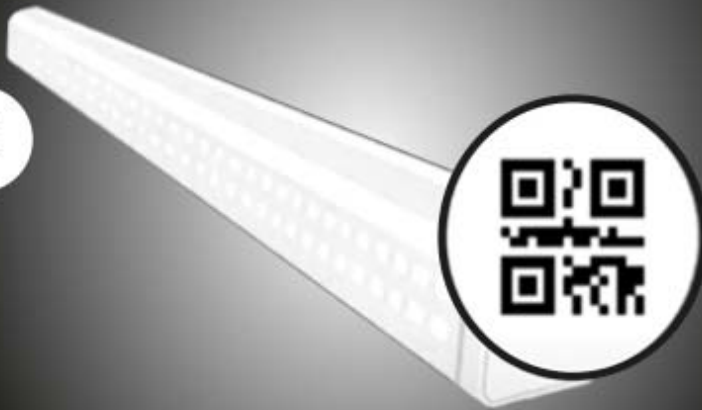
1



Scan me!



2



Register me!

SCAN



To get an overview of all spare parts for a luminaire, please refer to detailed instructions in the service manual available via the Signify Service tag apps (Android and iOS).



- GB SR compatibility** - For SR-based luminaires only SR-Certified components/sensors are to be used (see also: <http://www.lighting.philips.co.uk/oem-emea/products/driving-connected-lighting>). The functional compatibility of two (SR-certified) components/sensors to be used in combination, as well as the override possibility of any line-switch function used in an SR-based luminaire, is to be released by the master component/sensor supplier. If using a NEMA 7-pin socket on an SR-based luminaire, a full system verification is required. Not following this advice can/will cause risk of damage and non-compliance for which Signify cannot take any responsibility.
- ES Compatibilidad con SR** - Con las luminarias basadas en SR solo deben utilizarse componentes/sensores con la certificación SR (vea también: <http://www.lighting.philips.co.uk/oem-emea/products/driving-connected-lighting>). La compatibilidad funcional de 2 componentes/sensores (con certificación SR) que vayan a utilizarse en combinación, así como la posibilidad de anulación de cualquier función lineswitch utilizada en una luminaria basada en SR debe ser especificada por el proveedor del componente/sensor maestro. Para usar el terminal de 7 patillas NEMA en una luminaria basada en SR se requiere una verificación completa del sistema. No seguir estos consejos puede provocar o provocará un riesgo de datos e incumplimiento del que Signify no puede hacerse responsable.
- PT Compatibilidade SR** - As luminárias baseadas em SR são apenas compatíveis com a utilização de componentes/sensores com certificação SR (ver também: <http://www.lighting.philips.co.uk/oem-emea/products/driving-connected-lighting>). A compatibilidade funcional de 2 componentes/sensores (com certificação SR) a serem utilizados em conjunto, bem como a possibilidade de sobreposição de qualquer função LineSwitch utilizada numa luminária baseada em SR deverão ser disponibilizadas pelo fornecedor do componente/sensor principal. É necessário proceder a uma verificação integral do sistema para utilizar uma tomada NEMA de 7 pinos com uma luminária baseada em SR. O incumprimento destas recomendações poderá/irá originar o risco de danos e inconformidades relativamente aos quais a Signify não poderá assumir qualquer responsabilidade.
- DE System Ready kompatibel** - Für SR-basierte Leuchten dürfen nur SR-zertifizierte Komponenten/Sensoren verwendet werden (siehe auch: <http://www.lighting.philips.co.uk/oem-emea/products/driving-connected-lighting>). Funktionale Kompatibilität von 2 (SR-zertifizierten) Komponenten/Sensoren zur Verwendung in Kombination oder als Umgehungsmöglichkeit für Leitungsschaltungsfunktionen in einer SR-basierten Leuchte, freizugeben vom Lieferanten der Master-Komponente (Sensor). Zur Verwendung des NEMA 7 Pin-Socket an einer SR-basierten Leuchte ist eine vollständige Systemverifizierung erforderlich. Die Nichteinhaltung dieser Vorgaben kann zu Beschädigungen oder der Nichteinhaltung von Bestimmungen führen, für die Signify keinerlei Verantwortung übernehmen kann.
- FR Compatibilité SR** - Pour les luminaires qui reposent sur la technologie SR, seuls les composants/capteurs certifiés SR peuvent être utilisés (voir aussi : <http://www.lighting.philips.co.uk/oem-emea/products/driving-connected-lighting>). La compatibilité fonctionnelle de 2 composants/capteurs (certifiés SR) à utiliser ensemble ainsi que la possibilité de forçage de toute fonction d'interrupteur de ligne utilisée dans un luminaire reposant sur la technologie SR doivent être rendues possibles par le fournisseur original de composants/capteurs. Pour l'utilisation de la prise NEMA 7 broches sur un luminaire reposant sur la technologie SR, une vérification complète du système est requise. Ne pas suivre ces conseils peut/va entraîner des risques de dommages et de non-conformité pour lesquels Signify ne peut être tenue pour responsable.
- IT Compatibilità SR** - Negli apparecchi in versione SR devono essere utilizzati solo componenti/sensori certificati SR (consulta anche: <http://www.lighting.philips.co.uk/oem-emea/products/driving-connected-lighting>). La compatibilità funzionale di 2 componenti/sensori (certificati SR) da utilizzare in combinazione e la possibilità di comandare la funzione lineswitch di un apparecchio di illuminazione SR, deve essere rilasciata dal fornitore del componente principale/sensore. Per utilizzare l'attacco NEMA 7pin su un apparecchio d'illuminazione SR sono necessarie delle verifiche. La mancata verifica può causare danni per non conformità per i quali Signify non si assume alcuna responsabilità.
- NL SR-compatibiliteit** - Voor SR-geschikte armaturen dienen alleen SR-gecertificeerde componenten en/of sensoren te worden gebruikt (zie ook: <http://www.lighting.philips.co.uk/oem-emea/products/driving-connected-lighting>). Functionele compatibiliteit van twee SR-gecertificeerde componenten en/of sensoren die in combinatie worden gebruikt, evenals overbruggingsmogelijkheid van een eventuele LineSwitch-functie die wordt gebruikt in een SR-geschikte armatuur, dient te worden vrijgegeven door de leverancier van de hoofdcomponent/sensor. Bij gebruik van de NEMA 7 pins aansluitbus op een SR-geschikte armatuur is een volledige systeemverificatie vereist. Het niet opvolgen van deze adviezen of het niet voldoen aan de systeemvereisten geeft risico op schade waarvoor Signify geen enkele verantwoordelijkheid kan nemen.
- DK SR-kompatibilitet** - Til SR-baserede lysarmaturer må der kun anvendes SR-certificerede komponenter/sensorer (se også: <http://www.lighting.philips.co.uk/oem-emea/products/driving-connected-lighting>). Den funktionelle kompatibilitet af 2 (SR-certificerede) komponenter/sensorer, der skal bruges i kombination med hinanden samt muligheden for tilsidesættelse af enhver LineSwitch-funktion, der bruges i et SR-baseret armatur, skal frigives af leverandøren af masterkomponent/sensor. Til brug af en 7-benet NEMA-fatning på et SR-baseret armatur kræves der en fuld systemverificering. Hvis disse råd ikke følges, kan/vil det medføre en risiko for beskadigelse og manglende overholdelse, hvilket Signify ikke kan påtage sig ansvaret for.
- SE SR-kompatibilitet** - Enbart SR-certifierade komponenter och sensorer ska användas i SR-baserade armaturer (se även: <http://www.lighting.philips.co.uk/oem-emea/products/driving-connected-lighting>). Kompatibilitet mellan två (SR-certifierade) komponenter/sensorer som ska användas tillsammans och möjlighet att åsidosätta alla LineSwitch-funktioner som används i en SR-baserad armatur kommer att släppas på marknaden av masterkomponentens/sensors leverantör. För användning av NEMA 7-stiftsuttag på en SR-baserad armatur krävs en fullständig systemverifiering. Att inte följa dessa anvisningar medför risk för skada och innebär bristande efterlevnad som Signify inte tar något ansvar för.
- NO SR-kompatibilitet** - For SR-baserte armaturer skal bare SR-sertifiserte komponenter/sensorer brukes (se også: <http://www.lighting.philips.co.uk/oem-emea/products/driving-connected-lighting>). Funksjonell kompatibilitet av 2 (SR-sertifiserte) komponenter/sensorer som kan brukes i kombinasjon, samt overstyringsmulighet for en hvilken som helst lineswitchfunksjon som brukes i en SR-basert lysarmatur, skal frigjøres av hovedkomponent/sensorleverandør. For bruk av NEMA 7-pinnens kontakt på en SR-basert lysarmatur er det nødvendig med en fullstendig systemverifisering. Det å ikke følge disse anbefalingene kan/vil medføre risiko for skade og manglende overholdelse som Signify ikke kan ta ansvar for.
- FI SR-yhteensopivuus** - SR-valaisimissa tulee käyttää vain SR-sertifioituja komponentteja ja tunnistimia (saat lisätietoja osoitteesta : <http://www.lighting.philips.co.uk/oem-emea/products/driving-connected-lighting>). Kahden käytettävän (SR-sertifioidun) komponentin/tunnistimen toimintojen yhteensopivuuden sekä SR-valaisimen kanssa käytettävän minkä tahansa linjakytkintöiminnon ohitusmahdollisuuden vapauttaa komponenttien/tunnistimien päätoimittaja. Jos haluat käyttää seitsenpiikkistä NEMA-liitäntää SR-valaisimessa, järjestelmä on tarkistettava ja vahvistettava täysin. Jos et noudata tätä ohjetta, valaisin saattaa vaurioitua ja sen vaatimustenmukaisuus saattaa joutua kyseenalaiseksi. Signify ei ole tästä millään tavalla vastuussa.
- HU SR-kompatibilitás** - Az SR-alapú világítótéstekek csak SR-tanúsítású alkatrészek és érzékelők használhatók (lásd még: <http://www.lighting.philips.co.uk/oem-emea/products/driving-connected-lighting>). Két funkcionálisán kompatibilis (SR-tanúsítású) alkatrész, érzékelő illetve SR-alapú világítótéstebe beszerelt vezérelhető hálózataldali leválasztó kapcsoló csak akkor használható együtt, ha azok közös használatát a fő vezérlőelem (szenzor) gyártója jóváhagyta. -7-pólusú NEMA csatlakozóját tartalmazó SR-alapú világítótéste használata esetén a rendszer teljes működését ellenőrizni kell. Ezen tanácsok be nem tartása károkra és nem megfelelőséget okozhat, amiért a Signify nem vállal felelősséget.
- PL Zgodność z SR** - W przypadku oprav osvětleniových opartých na SR možna stosovať výlučne časti/czujníky z certifikátom SR (patrz również: <http://www.lighting.philips.co.uk/oem-emea/products/driving-connected-lighting>). Zgodność funkcjonalna dwóch części/czujników (z certyfikatem SR) stosowanych w połączeniu lub w zastępstwie dowolnej funkcji wyłącznika w oprawach opartych na SR musi być zapewniona przez dostawcę elementu nadrzędnego. Przed zastosowaniem 7-stykowego gniazda NEMA w oprawie osvětleniovéj opartej na SR wymagana jest pełna weryfikacja systemu. Nieprzestrzeganie tych zaleceń jest równoznaczne z ryzykiem uszkodzenia i naruszeniem zasad użytkowania, za które firma Signify nie ponosi odpowiedzialności.

	GB - Disconnect before servicing FR - Mettre hors tension avant intervention DE - Öffnen nur spannungsfrei NL - Stroom afsluiten voor onderhoud LT - Pirms apkopes atvienojiet no elektrības EE - Katkesta elektriltoide enne valgusti hooeldust/remontii PT - Desconecte antes de fazer a manutenção	DK - Frakobl, før service NO - Koble fra før service FI - Irrota pistoke ennen huolto CZ - Před servisem se odpojte TR - Servis yapmadan önce bağlantıyı kesin HR - Prije servisiranja isključite GR - Αποσυνδέστε πριν από τη συντήρηση BG - Изключете преди сервис RU - Отключите перед обслуживанием LV - Pirms apkopes atvienojiet to	IT - Togliere tensione prima di fare manutenzione ES - Desconectar antes de manipular SE - Bryt strömmen före lampbyte SK - Odpojit' pred údržbou SI - Pred servisiranjem izključite svetilko HU - Karbantartás előtt húzza ki a csatlakozót PL - Odłącz przed serwisowaniem RO - Deconectați-vă înainte de întreținere		
GB	Luminaire has basic insulation between Low Voltage supply and control conductors.	SE	Armaturen har enkelisolering mellan lågvoltförsörjningen och styrelledningarna.	GR	Το φωτιστικό διαθέτει βασική μόνωση μεταξύ της χαμηλής τάσης τροφοδοσίας και των αγώγων ελέγχου.
ES	La luminaria tiene un aislamiento básico entre la alimentación de baja tensión y los cables de la señal de control.	NO	Armaturet har enkelisolering mellom lavvoltforsyningen og styreledningene.	CZ	Ve svítidle je mezi vodiči napájení a řízení základní izolace.
PT	A luminária tem um isolamento básico entre a alimentação de baixa tensão e os cabos de sinal de controlo.	FI	Valaisimessa on peruseristys syyttöjännitteen ja ohjausohjotimien välillä.	TR	Armatur, Alçak Gerilim beslemesi ile kontrol iletkenleri arasinda temel izolasyona sahiptir
DE	Die Leuchte verfügt über eine einfachen Isolation zwischen der Niederspannungsversorgung und den Steuerleitungen .	HU	A lámpatest kifesztésütségű és szabályozó bemenetei galvanikusan el vannak választva.	SK	Svietidlo má základnú izoláciu medzi vodičmi zdroja nízkeho napätia a riadiacimi vodičmi.
FR	Le luminaire comporte une isolation de base entre l'alimentation basse tension et les câbles de contrôle.	RO	Corpul de iluminat dispune de izolație de bază între sistemul de alimentare de joasă și conductorii de control.	LT	Šviestuvos turi elementarią izoliaciją tarp žemos įtampos maitinimo ir valdymo laidų.
IT	Il grado di isolamento tra il conduttore di alimentazione ed il conduttore di segnale è básico.	BG	Осветителното тяло има основна изолация между захранването ниско напрежение и контролните проводници.	LV	Gaismeklim ir pamata izolācija starp zemsprieguma barošanas un vadības aprīkojuma.
NL	Armatuur heeft een basisisolatie tussen laagspannings-voeding en controle bedrading.	RU	Светильник обладает базовой электроизоляцией между низковольтным блоком питания и управляющими проводниками.	EE	Valgustil on põhisolatsioon madalpinge toite ja juhtimiseseadmete vahel.
DK	Armaturet har enkelisolering mellem lavvoltforsyningen og styreledningerne.	PL	Oprawa posiada podstawową izolację pomiędzy modulem zasilania niskonapięciowego i przewodami niskonapięciowymi.	SI	Svetilka ima osnovno izolacijo med nizkonapetostnimi napajalniki in regulacijskimi vodniki.
GB	The light source and/or the external flexible cable contained in this luminaire shall only be replaced by the manufacturer or his service agent or a similar qualified person. The control gear contained in this luminaire is not replaceable, in case of damage replace the luminaire.	RO	Sursa de lumină și / sau cablul flexibil extern conținut în acest aparat de iluminat trebuie înlocuite numai de producător sau de agentul său de service sau de o persoană similară calificată. Aparatul conținut în acest aparat de iluminat nu poate fi înlocuit, în caz de deteriorare înlocuiți aparatul de iluminat.	HR	Svjetiljka ima osnovnu izolaciju između napajanja i upravljačkih konektora.
ES	La fuente de luz/ o el cable flexible contenido en la luminaria solo podrá ser sustituido por el fabricante o su agente de servicio o por una persona cualificada. El driver contenido en esta luminaria no es reemplazable, en caso de defecto se reemplazará la luminaria.	HU	A lámpatestben található fényforrást és/vagy a külső rugalmas kábelt csak a gyártó, a gyártóval szerződött cég vagy megfelelő képesséssel rendelkező szakember cserélheti ki. A működtető szerelvény ebben a lámpatestben nem cserélhető, meghibásodás esetén cserélje a teljes lámpatestet.	GR	Η φωτεινή πηγή ή/και το εξωτερικό εύκαμπτο καλώδιο που περιέχεται σε αυτό το φωτιστικό πρέπει να αντικαθίσταται μόνο από τον κατασκευαστή ή τον αντιπρόσωπο σέρβις ή παρόμοιο ειδικευμένο πρόσωπο. Το όργανο έναυση/ελέγχου που περιέχεται σε αυτό το φωτιστικό δεν μπορεί να αντικατασταθεί, σε περίπτωση βλάβης αντικαταστήστε το φωτιστικό.
PT	A fonte de luz e/ou o cabo externo flexível nesta luminária só devem ser substituídos pelo fabricante ou pelo seu agente de serviço ou por pessoa qualificada para tal. O equipamento de controlo nesta luminária não é substituível, em caso de avaria, substitua a luminária.	TR	Bu armatürde bulunan ışık kaynağı ve / veya harici esnek kablo yalnızca imalatçı veya onun servis temsilcisi veya benzer nitelikli bir kişi tarafından değiştirilmelidir. Bu armatürde bulunan kontrol tertibatı değiştirilemez, hasar olması durumunda armatürü değiştiriniz.	BG	Източникът на светлина и / или пусково-регулируща апаратура и / или външният гъвкав кабел, съдържащ се в това осветително тяло, трябва да бъдат заменени само от производителя или неговия авторизиран сервиз или подобно квалифицирано лице. Пусково-регулирущата апаратура не може да се сменя при повреда и следва да се смени цялото тяло.
DE	Die in dieser Leuchte enthaltene Lichtquelle und/oder das externe flexible Anschlusskabel dürfen nur durch den Hersteller oder seinen Kundendienst oder eine ähnlich qualifizierte Person ausgetauscht werden. Das in dieser Leuchte enthaltene Betriebsgerät ist nicht austauschbar, tauschen Sie im Schadensfall die Leuchte aus.	HR	Izvor svjetlosti i / ili vanjski fleksibilni napojni kabel sadržan u ovoj svjetiljci smije zamijeniti samo proizvođač, ovlašten serviser ili adekvatna stručno osposobljena i ovlaštena osoba. Prespojna naprava sadržana u ovoj svjetiljci nije zamjenjiva, u slučaju njenog kvara, zamijeniti cijelu svjetiljku.	RU	Источник света и / или внешний гибкий кабель, содержащиеся в этом светильнике, могут быть заменены только производителем, его агентом по обслуживанию или аналогичным квалифицированным лицом. ПРА, установленный в этом светильнике, не подлежит замене, в случае повреждения замените светильник.
FR	La source lumineuse et/ou le câble souple d'alimentation contenus dans ce luminaire ne doivent être remplacés que par le fabricant, un de ses agents ou une personne qualifiée. Le contrôleur de courant de ce luminaire n'est pas remplaçable, changez le produit en cas de défaut.	SK	Svetelný zdroj a/alebo externý flexibilný kábel obsiahnutý v tomto svietidle môže byť vymenený len výrobcom alebo servisným partnerom alebo inou podobne kvalifikovanou osobou. Predradník obsiahnutý v tomto svietidle nie je vymeniteľný, v prípade poškodenia vymeňte svietidlo.	LT	Šviestos šaltinis ir/arba išorinis lankstus kabelis esantis šiame šviestuve gali būti pakeistas tik gamintojo arba jo aptarnavimo agento ar tai atitinkančio kvalifikuoto asmens. Esantis šiame šviestuve valdymo įrenginys nėra keičiamas, jam sugedus keičiamas šviestuvus.
IT	La sorgente luminosa e/o il cavo flessibile esterno contenuti in questo apparecchio di illuminazione devono essere sostituiti solo dal costruttore o dal suo agente di servizio o da una persona qualificata analoga. Il dispositivo di controllo contenuto in questo apparecchio di illuminazione non è sostituibile, in caso di danni sostituire l'intero apparecchio di illuminazione.	LV	Gaismas avotu un / vai ārējo elastīgo kabeli, kas atrodas šajā apgaismes ķermenī, drīkst nomainīt tikai ražotājs vai viņa servisa pārstāvis vai līdzīga kvalificēta persona. Šajā gaismeklī esošais vadības aprīkojums nav nomaināms, bojājuma gadījumā nomainiet gaismekli.	EE	Selles valgustis sisalduva valgusallika ja/või välise painduva kaabli võib vahetada ainult tootja, vastav hooldusspetsialist või muu samane kvalifitseeritud isik. Selles valgustis olev juhtseade ei ole vahetatav, kahjustuste korral vahetage välja valgusti.
NL	De lichtbron en/of de flexibele voedingskabel van dit armatuur mag alleen vervangen worden door de fabrikant of haar service dealer of een vergelijkbaar gekwalificeerd persoon. De voorschakelapparatuur van dit armatuur is niet vervangbaar, in geval van defect dient het armatuur vervangen te worden.	SI	Vir svetlobe in / ali zunanji prilagodljivi kabel, ki ga vsebuje ta svetilka, lahko zamenja samo proizvajalec ali njegov servis ali podobna usposobljena oseba. Napajalnik v tej svetilki ni zamenljiv, v primeru poškodbe svetilko zamenjajte.	GR	Η φωτεινή πηγή ή/και το εξωτερικό εύκαμπτο καλώδιο που περιέχεται σε αυτό το φωτιστικό πρέπει να αντικαθίσταται μόνο από τον κατασκευαστή ή τον αντιπρόσωπο σέρβις ή παρόμοιο ειδικευμένο πρόσωπο. Το όργανο έναυση/ελέγχου που περιέχεται σε αυτό το φωτιστικό δεν μπορεί να αντικατασταθεί, σε περίπτωση βλάβης αντικαταστήστε το φωτιστικό.
DK	Lyskilden og/eller eksterne kabler indeholdt i dette armatur må kun udskiftes af producenten eller godkendt service partner eller lignende kvalificeret person. Drivener indeholdt i dette armatur er ikke udskiftelig. I tilfælde af skade skift hele armaturet.	CZ	Světelný zdroj a/nebo flexibilní napájecí kabel v tomto svítidle smí vyměňovat pouze výrobce nebo jeho servisní technik nebo obdobně kvalifikovaná osoba. Napájecí zdroj (předradník) obsažený v tomto svítidle není vyměnitelný, v případě poškození vyměňte celé svítidlo.	HU	A lámpatestben található fényforrást és/vagy a külső rugalmas kábelt csak a gyártó, a gyártóval szerződött cég vagy megfelelő képesséssel rendelkező szakember cserélheti ki. A működtető szerelvény ebben a lámpatestben nem cserélhető, meghibásodás esetén cserélje a teljes lámpatestet.
SE	Ljuskällan och/eller den externa kabeln i denna armatur får endast bytas ut av tillverkaren eller en kvalificerad person. Styrsystemet är inte utbytbart. Vid skada ska därför hela armaturen bytas ut.	FI	Tämän valaisimen sisältämän valonlähteen ja/tai ulkoisen kaapelin saa vaihtaa vain valmistaja tai valtuutettu huoltoedustaja tai vastaava pätevä henkilö. Tämän valaisimen liitäntälaitte ei ole vaihdettavissa, vaihda valaisin liitäntälaitteen viikantausta.	TR	Bu armatürde bulunan ışık kaynağı ve / veya harici esnek kablo yalnızca imalatçı veya onun servis temsilcisi veya benzer nitelikli bir kişi tarafından değiştirilmelidir. Bu armatürde bulunan kontrol tertibatı değiştirilemez, hasar olması durumunda armatürü değiştiriniz.
NO	Lyskilden og/eller den eksterne kabelen i dette armaturet skal bare erstattes av produsenten eller dens service agent eller tilsvarende kvalifisert person. Drivener i dette armaturet er ikke mulig å erstatte, hvis den er ødelagt må armaturet byttes ut.	PL	Źródło światła i/lub zasilacz i/lub zewnętrzny przewód zasilający, który jest w sprawie powinien być wymieniony przez producenta lub jego serwisanta lub kwalifikowany personel. Zasilacz w tej sprawie nie jest wymienny, w przypadku jego uszkodzenia należy wymienić oprawę.	GR	Η φωτεινή πηγή ή/και το εξωτερικό εύκαμπτο καλώδιο που περιέχεται σε αυτό το φωτιστικό πρέπει να αντικαθίσταται μόνο από τον κατασκευαστή ή τον αντιπρόσωπο σέρβις ή παρόμοιο ειδικευμένο πρόσωπο. Το όργανο έναυση/ελέγχου που περιέχεται σε αυτό το φωτιστικό δεν μπορεί να αντικατασταθεί, σε περίπτωση βλάβης αντικαταστήστε το φωτιστικό.

- GB Storage, installation, use, operation and maintenance of the products needs to be performed exactly according the instructions in this manual and/or other instructions as may be provided by us to guarantee safe use of the product over its entire lifetime. Failure to adhere to these instructions will invalidate your entitlement to warranty. Bolts with indication of torque strength on the drawing need to be tightened using a calibrated torque wrench. Pre-assembled bolts need to be retightened again to the required torque specification to assure maximum strength over lifetime.
- ES El almacenamiento, instalación, uso, funcionamiento y mantenimiento de este producto debe realizarse exactamente según las instrucciones de este manual, así como otras instrucciones que le proporcionemos con el fin de garantizar un uso seguro del producto durante toda su vida útil. Si no se cumplen estas instrucciones, la garantía quedará anulada. Los tornillos con indicación de par de apriete en el dibujo, deben apretarse con una llave dinamométrica calibrada. Los tornillos del acoplamiento premontados deben reapretarse de nuevo con la especificación de par de apriete necesaria para garantizar una solidez máxima durante toda la vida útil de la luminaria.
- PT Para garantir uma utilização segura do produto durante a respetiva vida útil, o armazenamento, a instalação, a utilização, a operação e a manutenção dos produtos tem de ser efetuados exatamente de acordo com as instruções neste manual e/ou com outras instruções que possam ser fornecidas por nós. O incumprimento destas instruções irá invalidar o direito a garantia. Os parafusos com indicação do torque no esquema tem de ser apertados utilizando uma chave dinamométrica calibrada. Os parafusos pré-montados tem de ser novamente apertados de acordo com a especificação de torque necessário para garantir uma resistência máxima durante a vida útil.
- DE Lagerung, Installation, Verwendung, Betrieb und Wartung der Produkte müssen genau nach den Anweisungen in dieser Anleitung und/oder anderen von uns zur Verfügung gestellten Anweisungen erfolgen, um eine sichere Verwendung des Produkts über seine gesamte Lebensdauer zu gewährleisten. Bei Nichtbeachtung dieser Hinweise erlischt Ihr Anspruch auf Gewährleistung. Schrauben mit Angabe der Drehmomente auf der Zeichnung müssen mit einem kalibrierten Drehmomentschlüssel angezogen werden. Vormontierte Schrauben müssen mit dem angegebenen Drehmoment nachgezogen werden, um eine maximale Festigkeit über die gesamte Lebensdauer zu gewährleisten.
- FR Le stockage, l'installation, l'utilisation et la maintenance des produits doivent être effectués conformément aux instructions de ce manuel et / ou d'autres instructions que nous fournissons afin de garantir une utilisation sûre du produit pendant toute sa durée de vie. Le non-respect de ces instructions invalidera votre droit à la garantie. Les vis, dont les couples de serrage sont indiqués sur les schémas, doivent être serrés à l'aide d'une clé dynamométrique étalonnée. Les vis préassemblées doivent être resserrées à nouveau selon la spécification de couple de serrage requis afin d'assurer leur résistance maximale pendant toute leur durée de vie.
- IT Le stock, l'installazione, l'uso, il funzionamento e la manutenzione dei prodotti devono essere eseguiti esattamente in base alle istruzioni contenute nel presente manuale e / o in altra documentazione fornita da noi per garantire la sicurezza del prodotto per l'intera durata del suo utilizzo. La mancata osservanza di queste istruzioni annullerà la garanzia. I bulloni, con indicazione sull'intensità della coppia serraggio sul disegno devono essere serrati utilizzando una chiave dinamometrica calibrata. I bulloni pre-assemblati devono essere riserrati nuovamente secondo le specifiche di coppia richieste per assicurare la massima resistenza per tutta la durata.
- NL Om een veilig gebruik van dit product gedurende zijn hele levensduur te garanderen, dient het opslaan, installeren, gebruiken, bedienen en onderhouden ervan exact te worden uitgevoerd in overeenstemming met de instructies in deze handleiding en/of andere door ons geleverde instructies. Niet opvolgen van deze instructies maakt uw garantieaanspraken ongeldig. Bouten waarvan in de tekening het aanhaalkoppel is vermeld, dienen te worden vastgezet met behulp van een momentsleutel. Voorgeassembleerde bouten dienen opnieuw te worden aangehaald tot het vereiste koppel om maximale strekte gedurende de hele levensduur te waarborgen.
- DK Opbevaring, installation, brug, betjening og vedligeholdelse af produkterne må kun udføres ifølge instruktionerne i denne vejledning og/eller eventuelle øvrige instruktioner fra Signify for at garantere sikker brug af produktet i hele dets levetid. Hvis disse instruktioner ikke følges, bortfalder produktgarantien. Bolte/skruer med angivet spændingsmoment på tegningen skal spændes med en indstillet momentnøgle. Færdigsamlede bolte/skruer skal efterspændes i henhold til det specificerede moment for at sikre maksimal fastgørelse i hele produktets levetid.
- SE Förvaring, installation, användning, drift och underhall av produkterna måste utföras enligt instruktionerna i denna handbok och/eller andra instruktioner som kan tillhandahållas av oss för att garantera säker användning. Om instruktioner inte följs frångar man produktgarantin. Skruvar där vridmoment anges på ritningen måste dras åt med en kalibrerad skiftnyckel. Förmonterade skruvar måste dras åt igen med angivet vridmoment för att säkerställa högsta styrka under livslängden.
- NO Oppbevaring, montering, bruk, drift og vedlikehold av produktene må utføres nøyaktig i samsvar med instruksjonene i denne handboken og/eller andre instruksjoner vi måtte gi for å garantere sikker bruk av produktet i hele dets levetid. Hvis instruksjonene ikke følges, bortfaller garantien. Bolter med angivelse av dreiemoment på tegningen må strammes med en kalibrert momentnøkkel. Ferdigmonterte bolter må strammes på nytt til pakrevd dreiemoment for å sikre maksimal styrke i hele produktets levetid.
- FI Tuotteiden asennuksessa, käytössä ja huollossa on noudatettava tarkoin tässä käyttöoppaassa tai muissa toimittamissamme ohjemateriaaleissa annettuja ohjeita. Tämä varmistaa tuotteen turvallisen toiminnan koko sen käyttöajan ajan. Näiden ohjeiden noudattamatta jättäminen mitätöi kaikki oikeutesi takuukorvauksiin. Pultit, joille on asennusohjeessa ilmoitettu tietty kiristystiukkuus, on kiristettävä kalibroidulla momenttiavaimella. Esiasennetut pultit on kiristettävä ilmoitettuun kiristystiukkuuteen koko käyttöajan mittaisen kestävyuden varmistamiseksi.
- HU A termékkel tárolását, telepítését, használatát, üzemeltetését és karbantartását pontosan a jelen kézikönyvben és / vagy az általunk biztosított egyéb utasításoknak megfelelően kell elvégezni, hogy garantáljuk a termék biztonságos használatát az élettartama alatt. Ezen utasítások be nem tartása érvényteleníti a jótállási jogát. A rajzon a nyomaték-erősséggel jelzett csavarokat meg kell húzni egy kalibrált nyomatékkulccsal. Az előre összeszerelt csavarokat újra meg kell húzni a szükséges nyomaték specifikációhoz, hogy biztosítsák a maximális szilárdságot az élettartam során.
- PL Przechowywanie, instalacja, użytkowanie, obsługa i konserwacja produktów musi odbywać się ściśle według wytycznych zawartych w niniejszej instrukcji i / lub w innych instrukcjach, które dołączamy aby zagwarantować bezpieczne użytkowanie produktu przez cały okres eksploatacji. Nieprzestrzeganie tych instrukcji może spowodować utratę prawa do gwarancji. Śruby, przedstawione na rysunku wskazującym siłę momentu dokręcania, muszą być dokręcone za pomocą kalibrowanego klucza dynamometrycznego. Aby zapewnić maksymalną wytrzymałość w całym okresie użytkowania, wstępnie zamontowane śruby należy dokręcić zgodnie z wymaganą specyfikacją momentu dokręcenia.
- RO Depozitarea, instalarea, utilizarea, operarea și întreținerea produselor trebuie să fie efectuate exact în conformitate cu instrucțiunile din acest manual și/sau cu alte instrucțiuni care pot fi furnizate de noi pentru a garanta utilizarea în siguranță a produsului, pe întreaga durată de viașă a acestuia. Nerespectarea acestor instrucțiuni vă va anula dreptul la garanție. Șuruburile care au cuplul de strângere indicat pe desen, trebuie să fie strânse cu ajutorul unei chei dinamometrice calibrate. Șuruburile preasamblate trebuie să fie strânse din nou la specificația de cuplu cerută, pentru a asigura rezistența maximă pe întreaga durată de viașă.
- CZ Při uchovávaní, montáži, používání a údržbě produktů je třeba postupovat přesně podle pokynů v této příručce a dalších našich případných pokynů, které zajišťují bezpečné používání produktů po celou dobu jejich životnosti. Když tyto pokyny dodržovat nebudete, přijdete o záruku. Šrouby, které mají na výkresu uveden uťahovací moment, je třeba uťahovat zkalibrovaným momentovým klíčem. Předem namontované šrouby je třeba dotáhnout požadovaným momentem, aby po dobu životnosti produktu držely na místě.

TR	Ürünlerin saklanması, kurulumu, kullanımı, çalıştırılması ve bakımı, ürünün kullanım ömrü boyunca güvenli kullanımının sağlanması amacıyla tam olarak bu kılavuzdaki ve / veya tarafımızdan sağlanan diğer talimatlara uygun biçimde gerçekleştirilmelidir. Söz konusu talimatlara uyulmaması, ürünle ilgili garanti hakkınızı geçersiz kılar. Teknik çizimde yanında sikkma torku değeri belirtilen civatalar kalibre edilmiş bir tork anahtarı kullanılarak sıkılmalıdır. Önceden takılmış olarak gelen civataların da belirtilen tork değerine uygun biçimde yeniden sıkılması, kullanım ömrü boyunca maksimum dayanıklılığın sağlanması açısından önemlidir.		
BG	Съхранението, инсталирането, употребата, експлоатацията и поддръжката на продуктите трябва да се извършват точно в съответствие с указанията в това ръководство и / или други инструкции, които могат да бъдат предоставени от нас, за да се гарантира безопасна употреба на продукта през целия му експлоатационен живот. Неспазването на тези указания ще обезсили Вашето право на гаранция. Болтовете с индикация за силата на въртящия момент на чертежа трябва да бъдат затегнати с помощта на калибриран гаечен ключ. Предварително сглобените болтове трябва да бъдат отново затегнати до изискваната спецификация на въртящия момент, за да осигурят максимална якост по време на експлоатационния живот.		
GR	Η αποθήκευση, η εγκατάσταση, η χρήση, η λειτουργία και η συντήρηση των προϊόντων πρέπει να γίνεται ακριβώς σύμφωνα με τις οδηγίες του παρόντος εγχειριδίου ή / και τις άλλες οδηγίες που ενδεχομένως να παρασχεθούν, προκειμένου να είναι εγγυημένη η ασφαλής χρήση του προϊόντος για ολόκληρη τη διάρκεια ζωής του. Η μη εφαρμογή αυτών των οδηγιών θα ακυρώσει τα δικαιώματά σας στο πλαίσιο της εγγύησης. Οι βίδες με ένδειξη τιμής ροπής σύσφιξης στο σχέδιο θα πρέπει να σφίχθουν με τη χρήση ενός βαθμονομημένου ροποκλειδού. Οι προ-συναρμολογημένες βίδες πρέπει να σφίχθουν και πάλι ηε την απαιτούμενη τιμή ροπής σύσφιξης, προκειμένου να διασφαλιστεί η μέγιστη ισχύς σε όλη τη διάρκεια ζωής.		
RU	Чтобы гарантировать безопасное использование этого изделия на протяжении всего соответствующего срока службы, его хранение, установку, использование, эксплуатацию и обслуживание необходимо осуществлять в точном соответствии с приведенными в настоящем руководстве инструкциями и (или) иным инструкциями, которые могут быть предоставлены нами. Несоблюдение этих инструкций приведет к потере прав на гарантию. Болты, для которых на чертеже указан крутящий момент, необходимо затягивать калиброванным динамометрическим ключом. Для обеспечения максимальной прочности изделия в течение всего срока службы болты, завинченные в ходе предварительной сборки, необходимо подтянуть до указанного момента.		
SK	Uskladnenie, inštalácia, používanie a údržba produktov je potrebné postupovať presne podľa pokynov v manuáli a/alebo iných nami poskytnutých pokynov, ktoré zaisťujú bezpečné používanie produktu počas celej doby životnosti. Nedodržaním týchto pokynov sa ruší záruka. Skrutky s naznačenou silou utiahnutia, musia byť utahované kalibrovaným momentovým kľúčom. Vopred namontované skrutky musia byť znovu utiahnuté podľa požadovanej špecifikácie, aby komponenty držali na mieste počas celej životnosti.		
HR	Pohranjivanje, instaliranje, uporaba, korištenje i održavanje proizvoda treba se vršiti točno u skladu s uputama u ovom priručniku i/ili s drugim uputama osiguranim s naše strane kako bi se jamčila sigurna uporaba proizvoda kroz cijeli radni vijek. Nepoštivanje ovih uputa poništava vaše pravo na jamstvo. Vijci s indiciranim momentom zatezanja na nacrtu trebaju biti učvršćeni korištenjem zateznog alata s kalibriranim momentom zatezanja. Također i već učvršćeni vijci trebaju biti dotezani do specificiranog zateznog momenta kako bi se osigurala učvršćenost tijekom cijelog radnog vijeka.		
LT	Produktų saugojimas, montavimas, naudojimas, eksploatavimas ir priežiūra turi būti atlikti tiksliai pagal instrukcijas, pateiktas šiame vadove ir (arba) kitas instrukcijas, kurias mes galime pateikti, kad garantuotume saugu gaminio naudojimą per visą jo eksploatavimo laiką. Jei nesilaikysite šių instrukcijų nurodymų bei reikalavimų, jūsų teisė į garantiją bus panaikinta ir nebegalios. Varžtai, nurodantys sukimo momento stiprumą brėžinyje, turi būti užveržti naudojant kalibruotą sukimo momento veržliaraktį. Iš anksto sumontuotus varžtus reikia vėl priveržti iki reikiamo sukimo momento, kad būtų užtikrintas maksimalus tvirtumas per visą eksploatavimo laiką.		
LV	Izstrādājumu uzglabāšana, uzstādīšana, lietošana un apkope jāveic precīzi saskaņā ar šajā rokasgrāmatā sniegtajām instrukcijām un / vai citām instrukcijām, kuras mēs varam piedāvāt, lai garantētu produkta drošu lietošanu visā tā darbības laikā. Neievērojot šos norādījumus, jūsu tiesības uz garantiju tiek anulētas. Bulskrūves ar norādi uz griezes stiprumu zīmējumos jābūt pieskrūvētām izmantojot kalibrētu griezes atslēgu. Iepriekš samontētās skrūves ir atkal jāpievelk līdz vajadzīgajai griezes specifikācijai, lai nodrošinātu maksimālu pieguli visā ekspluatācijas laikā.		
EE	Toodete ladustamine, paigaldamine, kasutamine, käitamine ja hooldus tuleb läbi viia täpselt vastavalt selle juhendi juhistele ja/või muudele meie poolt pakutavatele juhistele, et tagada toote ohutu kasutamine kogu selle toote eluaja jooksul. Nende juhiste mittejärgimine kaotab teie õiguse garantiile. Poldid, millel on joonisel toodud pöördemomendi tugevus, tuleb pingutada kalibreeritud pöördemomendi mutrivõtme abil. Eelnevalt kinnitatud poldid tuleb uuesti pingutada vastavalt nõutavale pöördemomendi spetsifikatsioonile, et tagada maksimaalne kinnituse tugevus kogu eluea jooksul.		
SI	Skladiščenje, namestitve, uporaba, delovanje in vzdrževanje izdelkov mora biti natančno izvedeno v skladu z navodili v tem priročniku in / ali drugimi navodili za zagotovitev varne uporabe izdelka skozi celotno življenjsko dobo. V primeru neupoštevanja teh navodil, se lahko razveljavi pravica do garancije. Vijake, ki imajo označen navor, je potrebno zategniti s kalibriranim navornim ključem. Vijake, ki so že sestavljeni, je potrebno znova priviti v skladu z zahtevanim navorom, da je zagotovljena maksimalna moč skozi življenjsko dobo.		
GB	This product contains a light source of energy efficiency class: see table or label.	RO	Acest produs contine o sursă de lumină cu clasa de eficiență energetică: a se vedea tabelul sau eticheta.
ES	Este producto contiene una fuente luminosa de la clase de eficiencia energética: ver tabla o etiqueta.	CZ	Tento výrobek obsahuje světelný zdroj s třídou energetické účinnosti: viz tabulka nebo štítek.
PT	Este produto contém uma fonte de luz da classe de eficiência energética: ver tabela ou rótulo.	FI	Tämä tuote sisältää valonlähteen, jonka energiatehokkuusluokka on: katso taulukko tai etiketti.
DE	Dieses Produkt enthält eine Lichtquelle der Energieeffizienzklasse: siehe Tabelle oder Etikett.	SE	This Denna produkt innehåller en ljuskälla med energieffektivitetsklass: se tabell eller etikett.
FR	Ce produit conti nt une source lumineuse de classe d'efficacité énergétique: voir tableau ou étiquette.	HU	Ez a termék egy energiatékonysági osztályú fényforrást tartalmaz: lásd a táblázatot vagy a címkét.
IT	Questo prodotto contiene una sorgente luminosa di classe di efficienza energetica: vedere tabella o etichetta.	SK	Tento výrobok obsahuje svetelný zdroj triedy energetickei účinnosti: pozri tabuľku alebo štítok.
NL	Dit product bevat een lichtbron van energie-efficiëntieklasse: zie tabel of label.	HR	Ovai proizvod sadržava izvor svjetlosti klase enemetske učinkovitosti: vidi tablicu ili naljepnicu.
DK	Dette produkt indeholder en lyskilde i energieffektivitetsklasse: se tabel eller etiket.	LV	Šis ražojums satur gaismas avotu, kura energoefektivitātes klase ir: skatīt tabulu vai etiķeti.
LT	Šiame gaminyje yra šviesos šaltinis, kurio energijos vartojimo efektyvumo klasė: žr. lentelę arba etiketę.	EE	Toode sisaldab energiatõhususe klassi valgusallikat: vt tabelit või etiketti.
GR	Το προϊόν αυτό περιέχει φωτεινή πηγή της τάξης ενεργειακής απόδοσης: βλέπε πίνακα ή ετικέτα.	BG	Този продукт включва светлинен източник с клас на енергийна ефективност: вижте таблицата или етикета.
PL	Ten produkt zawiera źródło światła o klasie efektywności energetycznej: patrz tabela lub etykieta.	SI	Ta izdelek vsebuje svetlobni vir razreda energijske učinkovitosti: glej tabelo ali nalepko.

- GB Zhaga-D4i and SR certified compatibility** - For Zhaga-D4i/SR-Certified based luminaires only Zhaga-D4i/SR-Certified components/sensors are to be used (see also: <https://www.zhagastandard.org/products> / <https://www.lighting.philips.co.uk/oem-emea/products/driving-connected-lighting>). The functional compatibility of two SR-certified and/or Zhaga-D4i controllers/sensors to be used in combination, as well as the override possibility of any line-switch function used in an SR-based/Zhaga-D4i luminaire, is to be released by the master controller/sensor supplier. If using a NEMA 7-pin socket on an SR-based luminaire, a full system verification is required. Not following this advice can/will cause risk of damage and non-compliance for which Signify cannot take any responsibility.
- ES Zhaga-D4 y certificación de compatibilidad con SR** - Para las luminarias certificadas Zhaga-D4i/SR, solo deben utilizarse controladores/sensores con certificación Zhaga-D4i/SR (vease también: <https://www.zhagastandard.org/products> / <https://www.lighting.philips.co.uk/oem-emea/products/driving-connected-lighting>). La compatibilidad funcional de 2 controladores/sensores y/o Zhaga-D4i (con certificación SR) que vayan a utilizarse en combinación, así como la posibilidad de anulación de cualquier función lineswitch utilizada en una luminaria basada en Zhaga-D4i/SR, debe ser especificada por el proveedor del controlador/sensor maestro. En el caso de usar una base terminal de 7 patillas NEMA, en una luminaria basada en SR se requiere una verificación completa del sistema. No seguir estos consejos puede provocar o provocará un riesgo de daños e incumplimiento del que Signify no puede hacerse responsable.
- PT Compatibilidade certificada com Zhaga-D4i e SR** - As luminárias baseadas em Zhaga-D4i/SR certificado são apenas compatíveis com a utilização de componentes/sensores com certificação Zhaga-D4i/SR (ver também: <https://www.zhagastandard.org/products> / <https://www.lighting.philips.co.uk/oem-emea/products/driving-connected-lighting>). A compatibilidade funcional de 2 controladores/sensores com certificação Zhaga-D4i/SR a serem utilizados em conjunto, bem como a possibilidade de sobreposição de qualquer função LineSwitch utilizada numa luminária baseada em Zhaga-D4i/SR deverão ser disponibilizadas pelo fornecedor do controlador/sensor principal. É necessário proceder a uma verificação integral do sistema para utilizar uma tomada NEMA de 7 pinos com uma luminária baseada em SR. O incumprimento destas recomendações poderá/trá originar o risco de danos e inconformidades relativamente aos quais a Signify não poderá assumir qualquer responsabilidade.
- DE Zhaga-D4i und System Ready zertifizierte Kompatibilität** - Für Zhaga-D4i/SR-zertifizierte basierte Leuchten dürfen nur Zhaga-D4i/SR-zertifizierte Komponenten/Sensoren verwendet werden (siehe auch: <https://www.zhagastandard.org/products> / <https://www.lighting.philips.co.uk/oem-emea/products/driving-connected-lighting>). Funktionale Kompatibilität von 2 Zhaga-D4i/SR-zertifizierten Steuergerät/Sensoren zur Verwendung in Kombination oder als Umgehungsmöglichkeit für Leitungsschaltungsfunktionen in einer Zhaga-D4i/SR-basierten Leuchte, freigegeben vom Lieferanten der Master-Steuergerät/Sensor. Zur Verwendung des NEMA 7 Pin-Socket an einer SR-basierten Leuchte ist eine vollständige Systemverifizierung erforderlich. Die Nichteinhaltung dieser Vorgaben kann zu Beschädigungen oder der Nichteinhaltung von Bestimmungen führen, für die Signify keinerlei Verantwortung übernehmen kann.
- FR Compatibilité certifiée Zhaga-D4i et SR** - Pour les luminaires qui reposent sur la technologie certifiée Zhaga-D4i/SR, seuls les composants/capteurs certifiés Zhaga-D4i/SR peuvent être utilisés (voir aussi : <https://www.zhagastandard.org/products> / <https://www.lighting.philips.co.uk/oem-emea/products/driving-connected-lighting>). La compatibilité fonctionnelle de 2 contrôleurs / capteurs certifiés Zhaga-D4i/SR à utiliser ensemble ainsi que la possibilité de forçage de toute fonction d'interrupteur de ligne utilisée dans un luminaire reposant sur la technologie Zhaga-D4i/SR doivent être rendues possibles par le fournisseur original de contrôleurs/capteurs. Pour l'utilisation de la prise NEMA 7 broches sur un luminaire reposant sur la technologie SR, une vérification complète du système est requise. Ne pas suivre ces conseils peut/va entraîner des risques de dommages et de non-conformité pour lesquels Signify ne peut être tenue pour responsable.
- IT Compatibilità certificata Zhaga-D4i e SR** - Negli apparecchi in versione certificata Zhaga-D4i/SR devono essere utilizzati solo componenti/sensori certificati Zhaga-D4i/SR (consulta anche: <https://www.zhagastandard.org/products> / <https://www.lighting.philips.co.uk/oem-emea/products/driving-connected-lighting>). La compatibilità funzionale di 2 controller/sensori certificati Zhaga-D4i/SR da utilizzare in combinazione e la possibilità di comandare la funzione lineswitch di un apparecchio di illuminazione Zhaga-D4i/SR, deve essere rilasciata dal fornitore del controller/sensore. Per utilizzare l'attacco NEMA 7pin su un apparecchio d'illuminazione SR sono necessarie delle verifiche. La mancata verifica può causare danni per non conformità per i quali Signify non si assume alcuna responsabilità.
- NL Zhaga-D4i/SR-gecertificeerde compatibiliteit** - Voor Zhaga-D4i/SR-geschikte armaturen dienen alleen Zhaga-D4i/SR-gecertificeerde componenten en/of sensoren te worden gebruikt (zie ook: <https://www.zhagastandard.org/products> / <https://www.lighting.philips.co.uk/oem-emea/products/driving-connected-lighting>). Functionele compatibiliteit van twee Zhaga-D4i/SR-gecertificeerde componenten en/of sensoren die in combinatie worden gebruikt, evenals overbruggingsmogelijkheid van een eventuele LineSwitch-functie die wordt gebruikt in een Zhaga-D4i/SR-geschikte armatuur, dient te worden vrijgegeven door de leverancier van de hoofdc component/sensor. Bij gebruik van de NEMA 7 pins aansluitbus op een SR-geschikte armatuur is een volledige systeemverificatie vereist. Het niet opvolgen van deze adviezen of het niet voldoen aan de systeemvereisten geeft risico op schade waarvoor Signify geen enkele verantwoordelijkheid kan nemen.
- DK Zhaga-D4i og SR-certificeret kompatibilitet** - Til Zhaga-D4i/SR-certificeret baserede lysarmaturer må der kun anvendes Zhaga-D4i/SR-certificerede komponenter/sensorer (se også: <https://www.zhagastandard.org/products> / <https://www.lighting.philips.co.uk/oem-emea/products/driving-connected-lighting>). Den funktionelle kompatibilitet af 2 Zhaga-D4i/SR-certificerede komponenter/sensorer, der skal bruges i kombination med hinanden samt muligheden for tilslidesættelse af enhver LineSwitch-funktion, der bruges i et Zhaga-D4i/SR-baseret armatur, skal frigives af leverandøren af masterkomponent/sensor. Til brug af en 7-benet NEMA-fatning på et SR-baseret armatur kræves der en fuld systemverificering. Hvis disse råd ikke følges, kan/vil det medføre en risiko for beskadigelse og manglende overholdelse, hvilket Signify ikke kan påtage sig ansvaret for.
- SE Zhaga-D4i och SR-certifierad kompatibilitet** - Enbart certifierade komponenter och sensorer ska användas i Zhaga-D4i/SR-certifierade baserade armaturer (se även: <https://www.zhagastandard.org/products> / <https://www.lighting.philips.co.uk/oem-emea/products/driving-connected-lighting>). Kompatibilitet mellan två Zhaga-D4i/SR-certifierade komponenter/sensorer som ska användas tillsammans och möjlighet att åsidosätta alla LineSwitch-funktioner som används i en Zhaga-D4i/SR-baserad armatur kommer att släppas på marknaden av masterkomponentens/sensorns leverantör. För användning av NEMA 7-stiftsuttag på en SR-baserad armatur krävs en fullständig systemverifiering. Att inte följa dessa anvisningar medför risk för skada och innebär bristande efterlevnad som Signify inte tar något ansvar för.
- NO Zhaga-D4i og SR-sertifisert kompatibilitet** - For Zhaga-D4i/SR-sertifisert baserte armaturer skal bare Zhaga-D4i/SR-sertifiserte komponenter/sensorer brukes (se også: <https://www.zhagastandard.org/products> / <https://www.lighting.philips.co.uk/oem-emea/products/driving-connected-lighting>). Funktionell kompatibilitet av 2 Zhaga-D4i/SR-sertifiserte komponenter/sensorer som kan brukes i kombinasjon, samt overstyringsmulighet for en hvilken som helst linjeskiff-funksjon som brukes i en Zhaga-D4i/SR-basert lysarmatur, skal frigjøres av hovedkomponent/sensorleverandør. For bruk av NEMA 7-pinnens kontakt på en SR-basert lysarmatur er det nødvendig med en fullstendig systemverifisering. Det å ikke følge disse anbefalingene kan/vil medføre risiko for skade og manglende overholdelse som Signify ikke kan ta ansvar for.
- FI Zhaga-D4i ja SR-sertifioituja yhteensopivuus** - Zhaga-D4i/SR-sertifioituja valaisimissa tulee käyttää vain Zhaga-D4i/SR-sertifioituja komponentteja ja tunnistimia (saat lisä tietoja osoitteesta <https://www.zhagastandard.org/products> / <https://www.lighting.philips.co.uk/oem-emea/products/driving-connected-lighting>). Kahden käytettävän Zhaga-D4i/SR-sertifioitujen komponenttien/tunnistimien toimintojen yhteensopivuuden sekä Zhaga-D4i/SR-valaisimen kanssa käytettävän minkä tahansa linjakytkintöiminnon ohitusmahdollisuuden vapauttaa komponenttien/tunnistimien päätoimittaja. Jos haluat käyttää seitsemipiikkistä NEMA-liitäntää SR-valaisimessa, järjestelmä on tarkistettava ja vahvistettava täysin. Jos et noudata tätä ohjetta, valaisin saattaa vaurioitua ja sen vaatimustenmukaisuus saattaa joutua kyseenalaiseksi. Signify ei ole tästä millään tavalla vastuussa.
- HU Zhaga-D4i és SR-tanúsítás kompatibilitás** - Az Zhaga-D4i/SR-tanúsítás alapú világítótestekkel csak Zhaga-D4i/SR-tanúsítású alkatrészek és érzékelők használhatók (lásd még: <https://www.zhagastandard.org/products> / <https://www.lighting.philips.co.uk/oem-emea/products/driving-connected-lighting>). Két funkcionális kompatibilis Zhaga-D4i/SR-tanúsítású alkatrész, érzékelő illetve Zhaga-D4i/SR-alapú világítótestbe beszerelt vezérelhető hálózatioldali leválasztó kapcsoló csak akkor használható együtt, ha azok közös használatát a fő vezérlőelem (szenzor) gyártója jóváhagyta. 7-pólusú NEMA csatlakozóját tartalmazó SR-alapú világítótest használatát esetén a rendszer teljes működését ellenőrizni kell. Ezen tanácsok be nem tartása károkat és nem megfelelőséget okozhat, amiért a Signify nem vállal felelősséget.
- PL Zgodność z certyfikatem SR i Zhaga-D4i** - W przypadku oprav osvětleniových opartých na certyfikatem Zhaga-D4i/SR možna stosować wyłącznicę części/czujniki z certyfikatem Zhaga-D4i/SR (patrz również: <https://www.zhagastandard.org/products> / <https://www.lighting.philips.co.uk/oem-emea/products/driving-connected-lighting>). Zgodność funkcjonalna dwóch części/czujników z certyfikatem Zhaga-D4i/SR stosowanych w połączeniu lub w zastępstwie dowolnej funkcji wyłącznika w oprawach opartych na Zhaga-D4i/SR musi być zapewniona przez dostawcę elementu nadrzędnego. Przed zastosowaniem 7-stykowego gniazda NEMA w oprawie oświetleniowej opartej na SR wymagana jest pełna weryfikacja systemu. Nieprzestrzeganie tych zaleceń jest równoznaczne z ryzykiem uszkodzenia i naruszeniem zasad użytkowania, za które firma Signify nie ponosi odpowiedzialności.

- RO **Compatibilitate certificare Zhaga-D4i/SR** - Pentru corpurile de iluminat bazate pe certificare Zhaga-D4i/SR, trebuie să se utilizeze numai componentele/senzorii cu certificare Zhaga-D4i/SR (consultați, de asemenea: <https://www.zhagastandard.org/products> / <https://www.lighting.philips.co.uk/oem-emea/products/driving-connected-lighting>). Compatibilitate funcțională a 2 componente/senzorii cu certificare Zhaga-D4i/SR care trebuie să fie utilizați în asociere, precum și posibilitate de a anula orice funcție lineswitch utilizată într-un corp de iluminat bazat pe Zhaga-D4i/SR, lucru care trebuie autorizat de furnizorul componentei/senzorului principal. Pentru utilizarea soclului cu 7 pini NEMA la un corp de iluminat bazat pe SR, este necesară o verificare completă a sistemului. Nerespectarea acestor recomandări poate duce la/la cauza risc de avarie și neconformitate, pentru care Signify nu își poate asuma nicio responsabilitate.
- CZ **Certifikované kompatibilita s Zhaga-D4i/SR** - U svítidel Zhaga-D4i/SR certifikované se používají pouze Zhaga-D4i/SR certifikované součásti/snímače (viz též <https://www.zhagastandard.org/products> / <https://www.lighting.philips.co.uk/oem-emea/products/driving-connected-lighting>). Funkční kompatibilitu dvou součástí nebo snímačů s certifikací Zhaga-D4i/SR při použití v kombinaci a možnost potlačení funkce LineSwitch, používaných u svítidel Zhaga-D4i/SR, musí posoudit dodavatel hlavní součástí nebo snímače. Pro použití 7kolíkové zásuvky NEMA na svítidle s certifikací SR je vyžadováno úplné ověření systému. Nedodržení těchto doporučení může způsobit poškození a nesoulad, za něž Signify nenese žádnou odpovědnost.
- TR **Zhaga-D4i/SR sertifikalı uyumluluğu** - Zhaga-D4i/SR sertifikalı tabanlı aydınlatma armatürleri için yalnızca Zhaga-D4i/SR sertifikalı bileşenler/sensörler kullanılmalıdır (ayrıca bkz. <https://www.zhagastandard.org/products> / <https://www.lighting.philips.co.uk/oem-emea/products/driving-connected-lighting>). Birlikte kullanılacak 2 Zhaga-D4i/SR sertifikalı bileşenin/sensörün işlevsel uyumluluğu ve Zhaga-D4i/SR tabanlı aydınlatma armatüründe kullanılan herhangi bir lineswitch işlevinin geçersiz kılınma olasılığı, ana bileşen/sensör tedarikçisi tarafından sağlanacaktır. SR tabanlı aydınlatma armatüründe NEMA 7 pimli soketin kullanılması için tam sistem doğrulaması gereklidir. Bu tavsiyelere uymamak, Signify'nin sorumlu tutulamayacağı hasar riskine ve uyumsuzluğa neden olabilir.
- SK **Certifikované kompatibilita Zhaga-D4i/SR** - Pri svietidlách založených na Zhaga-D4i/SR certifikované sa smú používať len Zhaga-D4i/SR certifikované komponenty/snímače (pozri tiež: <https://www.zhagastandard.org/products> / <https://www.lighting.philips.co.uk/oem-emea/products/driving-connected-lighting>). Funkčnú kompatibilitu 2 Zhaga-D4i/SR certifikovaných komponentov/snímačov na použitie v kombinácii, ako aj možnosť zrušenia funkcie spínača použitej v svietidle založenom na Zhaga-D4i/SR, má zabezpečiť dodávateľ hlavného komponentu/snímača. Pri použití 7-koľkovej objímky NEMA v svietidle založenom na SR sa vyžaduje overenie celého systému. Nedodržanie týchto pokynov môže spôsobiť/spôsobí poškodenie a nesúlad, za ktoré spoločnosť Signify nemôže nieť zodpovednosť.
- GR **Πιστοποιημένη συμβατότητα Zhaga-D4i/SR** - Για τα φωτιστικά που βασίζονται στο πιστοποιήση Zhaga-D4i/SR, πρέπει να χρησιμοποιούνται μόνο εξαρτήματα/αισθητήρες με πιστοποίηση Zhaga-D4i/SR (βείτε επίσης: <https://www.zhagastandard.org/products> / <https://www.lighting.philips.co.uk/oem-emea/products/driving-connected-lighting>). Η λειτουργική συμβατότητα 2 εξαρτημάτων/αισθητήρων με πιστοποίηση Zhaga-D4i/SR που θα χρησιμοποιηθούν σε συνδυασμό, καθώς και η δυνατότητα παράκαμψης οποιασδήποτε λειτουργίας lineswitch που χρησιμοποιείται σε ένα φωτιστικό που βασίζεται στο Zhaga-D4i/SR, θα πρέπει να κοινοποιηθεί από τον προμηθευτή του κύριου εξαρτήματος/αισθητήρα. Για τη χρήση υποδοχής NEMA 7 ακίδων σε φωτιστικό που βασίζεται στο SR, απαιτείται πλήρης επαλήθευση συστήματος. Αν δεν ληφθούν υπόψη αυτές οι συμβουλές, μπορεί να/θα προκληθεί κίνδυνος ζημιάς και μη συμμόρφωσης, για τα οποία η Signify δεν μπορεί να αναλάβει καμία ευθύνη.
- RU **Сертифицированная совместимость с устройствами Zhaga-D4i/SR** - Светильники на основе технологии сертифицированными Zhaga-D4i/SR совместимы только с компонентами/датчиками, сертифицированными для использования с технологией Zhaga-D4i/SR (см. также: <https://www.zhagastandard.org/products> / <https://www.lighting.philips.co.uk/oem-emea/products/driving-connected-lighting>). Функциональная совместимость используемых в сочетании 2 компонентов/датчиков сертифицированных для использования с технологией Zhaga-D4i/SR, а также возможность переопределяющего управления любой функцией уменьшения яркости LineSwitch при использовании светильника на основе технологии SR /Zhaga-D4i определяется поставщиком основного компонента/датчика. Для использования 7-контактного гнезда NEMA на светильнике на основе технологии SR требуется полная проверка системы. Несоблюдение этих рекомендаций с высокой вероятностью может привести к возможным повреждениям и несоответствию системы спецификациям, за которые компания Signify не несет какой-либо ответственности.
- BG **Съвместимост и функционална готовност за свързване към система за управление /Zhaga-D4i и SR certified compatibility/**- За осветителните тела с вградена функционална готовност за свързване към система за управление трябва да се използват само компоненти сертифицирани за тази цел (моля вижте следния линк: <https://www.zhagastandard.org/products> / <https://www.lighting.philips.co.uk/oem-emea/products/driving-connected-lighting>). Функционалната съвместимост на два сертифицирани за използване в осветителните тела с вградена готовност за свързване към система за управление, Zhaga-D4i/SR certified компонента/сензора, които се използват в комбинация, както и възможността за използване на пълната функционалност на предварително готови за свързване към система за управление Zhaga-D4i/SR based, осветителни тела трябва да бъде осигурена от доставчика на съответния компонент/сензор. Ако се използва конектор NEMA със 7 щифта на осветителните тела с предварителна функционална готовност за свързване към система за управление /SR based/ трябва да се направи проверка на съвместимостта на цялата система и нейните съставни компоненти. Неспазването на този съвет може/ще доведе до риск от повреда и несъответствие, за което Сигнифай Интернешънъл не носи отговорност.
- HR **Zhaga-D4i/SR certificirane kompatibilnost** – Za Zhaga-D4i/SR certificirane svjetiljke, samo Zhaga-D4i/SR certificirane komponente/senzori smiju biti korišteni (detaljno dostupno na: <https://www.zhagastandard.org/products> / <https://www.lighting.philips.co.uk/oem-emea/products/driving-connected-lighting>). Funkcionalna kompatibilnost dvaju Zhaga-D4i/SR certificiranih komponenti/senzora za korištenje u kombinaciji, kao i mogućnost prisilnog preklopa funkcija preklapanja mreže korištenog u SR /Zhaga-D4i pripremljenim svjetiljkama treba biti potvrđena od strane dobavljača master odnosno senzor SR komponenti. U slučaju korištenja NEMA 7-pin konektora na SR pripremljenim svjetiljkama, potrebna je cjelovita systemska verifikacija te kombinacije prije korištenja. Nepoštivanje ovog savjeta će stvarno ili potencijalno uzrokovati rizik kvara ili nepravilnog funkcioniranja sistema za koje Signify ne može preuzeti odgovornost.
- LT **Zhaga-D4i/SR (System Ready) sertifikuoetus suderinamumas** – Sertifikuoetus šviestuovose su Zhaga-D4i/SR galima naudoti tik Zhaga-D4i/SR sertifikuoetus komponentus / jutiklius (taip pat žiūrėkite: <https://www.zhagastandard.org/products> / <https://www.lighting.philips.co.uk/oem-emea/products/driving-connected-lighting>). Komponentų / jutiklių tiekėjas turi užtikrinti tinkamą dviejų Zhaga-D4i/SR sertifikuoetus komponentų / jutiklių, kurie bus naudojami kartu, funkcinių suderinamumą, taip pat galimybę panaikinti bet kurią linijinio perjungimo funkciją, naudojamą šviestuve su Zhaga-D4i/SR. Jei SR šviestuve naudojamas NEMA 7 kontaktų lizdas, būtina papildomai atlikti visos sistemos patikrą. Šių nurodymų nesilaikymas gali įtakoti sugadinimą ir nesuderinamumą/neveikimą, už kuriuos „Signify“ neprisiima jokios atsakomybės.
- LV **Zhaga-D4i/SR sertificēti saderība** – Gaismekliem uz Zhaga-D4i/SR bāzes ir izmantojami tikai Zhaga-D4i/SR sertificēti komponenti/sensori (skatīt arī: <https://www.zhagastandard.org/products> / <https://www.lighting.philips.co.uk/oem-emea/products/driving-connected-lighting>). Funkcionāla saderība starp diviem Zhaga-D4i/SR sertificētiem komponentiem/sensoriem, kurus izmantos kopā, kā arī, ignorēšanas iespējas jebkuras līnijas pārslēgšanas funkcijas, kas tiks izmantotas Zhaga-D4i/SR bāzes gaismekļos, ir jānodrošina galvenā komponenta / sensora piegādātājam. Ja izmanto NEMA 7 – pin liqzdu kopā ar SR bazēto gaismekli, verifikācija ir obligāta visai sistēmai. Šī ieteikuma neievērošana var radīt / radīs kaitējuma un neatbilstības risku, par kuru Signify nevar uzņemties nekādu atbildību.
- EE **Zhaga-D4i/SR-sertifikaadiga ühilduvus** – Zhaga-D4i/SR-põhiste valgustite puhul tuleb kasutada ainult Zhaga-D4i/SR-sertifikaadiga komponente/andureid (vt ka: <https://www.zhagastandard.org/products> / <https://www.lighting.philips.co.uk/oem-emea/products/driving-connected-lighting>). Zhaga-D4i/SR-sertifitseeritud seadme/anduri tarnija peab lubama ja vastutama kahe kombineeritud Zhaga-D4i/SR seadme/anduri funktsionaalse ühilduvuse ja juhtsoone (Lineswitch) funktsiooni kasutamisel seadete alistamise Zhaga-D4i/SR valmidusega valgustis. Kui kasutate SR-põhisel valgustil NEMA 7-pin pistikut, on vajalik süsteemi vastavuse täielik kontroll. Selle nõude mittejärgimine võib põhjustada kahju tekkimist ja mittevastavust, mille eest Signify ei vastuta.
- SI **Certificirane združljivost s Zhaga-D4i/SR** – Za svetilke, ki temeljijo na Zhaga-D4i/SR, se smejo uporabiti samo certificirane Zhaga-D4i/SR komponente / senzori, (glejte tudi: <https://www.zhagastandard.org/products> / <https://www.lighting.philips.co.uk/oem-emea/products/driving-connected-lighting>). Funkcionalno združljivost certificirane Zhaga-D4i/SR komponent / senzorjev, ki jih je treba uporabiti v kombinaciji, kot tudi možnost preglasovanja katere koli funkcije linijskega stikala, mora sprostiti glavni dobavitelj komponent / senzorjev. Če uporabljate 7-pin vtičnico NEMA v svetilki, ki temelji na SR, je potrebna celovita verifikacija sistema. Neupoštevanje teh navodil lahko povzroči škodo in neskladnosti, za kar podjetje Signify ne prevzema nobene odgovornosti.



© Error: No reference Signify Holding

All rights reserved. This document contains information relating to the product portfolio of Signify which information may be subject to change. No representation or warranty as to the accuracy or completeness of the information included herein is given and any liability for any action in reliance thereon is disclaimed. The information presented in this document is not intended as any commercial offer and does not form part of any quotation or contract. Philips and the Philips Shield Emblem are registered trademarks of Koninklijke Philips N.V.. All other trademarks are owned by Signify Holding or their respective owners.

Signify Holding
The Netherlands