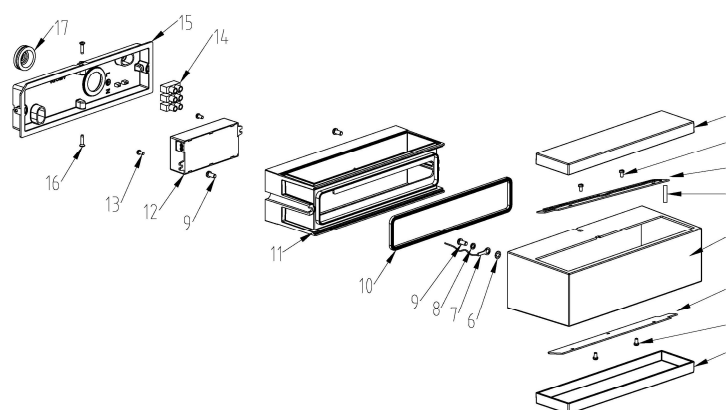


## Dismantling Recommendation on Disposal at End of Life

### Composition Explanation



No.	Components	Specifications	Unit	Quantity
1	Diffuser	PC	PCS	1
2	M3*5 screw	Zinc coated	PCS	4
3	L2		PCS	2
4	silicone wire	H05S-K,1*0.5mm <sup>2</sup>	PCS	1
5	aluminium enclosure	ZL102	PCS	1
6	φ4gasket	Zinc coated	PCS	1
7	VDE yellow and green wire	H05V-K 0.75mm <sup>2</sup>	PCS	1
8	φ4gasket	SS	PCS	1
9	M4*8 screw	Zinc coated	PCS	2
10	rubber ring	silica gel	PCS	1
11	Diffuser	PC	PCS	1
12	Driver		PCS	1
13	BT3*10 screw	Zinc coated	PCS	2
14	Terminal block	PA10	PCS	1
15	Bottom	ABS	PCS	1
16	BT2.9*10 screw	Zinc coated	PCS	2
17	Gromet	TPE	PCS	1

# Dismantling Recommendation on Disposal at End of Life

Light source non-replaceable

## Recommendation on Disposal

- Plastic part: Reuse and Recycling
- Electrical part: Incineration and disposal
- Metal part: Recycling

## Light source dismantling process

