

# PHILIPS

Filament Bulb Clear  
40W ST19 E26 x2

LED

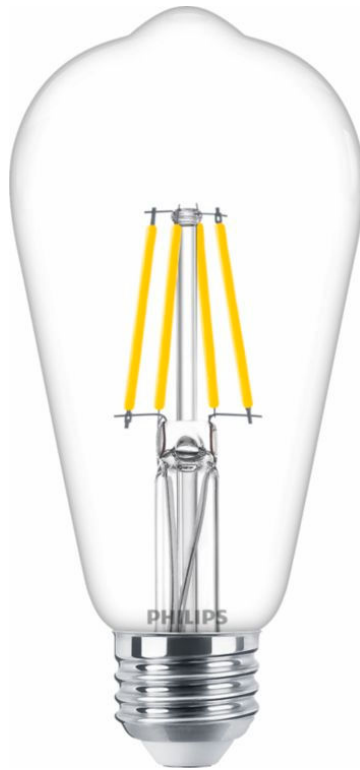
2700K

400lm

15000h

Dimming

046677564858



## State-of-the-art LED light bulb for the home

State-of-the-art LED light bulb providing a general lighting solution for daily indoor activities. You will save on energy costs immediately and reduce the frequency of bulb replacements, without compromising on the quality of your lighting.

### High quality light

- Designed for the comfort of your eyes

### Designed to be seen, looks good on and off

- Classic glass LED

# Highlights

## Designed for the comfort of your eyes



It's easy to see how harsh lighting can strain the eyes. Too bright, and you get the glare. Too soft and you experience flicker. Now you can gently light up your world with LEDs designed to go easy on the eyes, and create the perfect ambience for your home.

## Glass Clear Design

The look you love, the performance you expect. Classic clear glass designs that replicate the beautiful sparkling light of traditional bulbs, for a perfect fit throughout your home.

# Specifications

## Bulb characteristics

- Intended use: Indoor/Outdoor
- Lamp shape: Non directional bulb
- Socket: E26
- Bulb Finish: Clear
- Dimmable: Yes
- Bulb Material: Glass

## Durability

- Number of switch cycles: 20,000
- Nominal lifetime: 15,000

## Environmental

- Disposal of the product: At the end of (economic) life, dispose the product according to local rules and do not dispose the product with regular household waste. The correct disposal of your product will help prevent potential negative consequences for the environment and human health.

## Extra feature/accessory incl.

- LED integrated: Yes

## Light characteristics

- Beam angle: 300
- Color rendering index (CRI): 90
- Color temperature: 2700 K
- Nominal luminous flux: 400 lm
- Luminous Efficacy (rated) (Nom): 90

## Miscellaneous

- EyeComfort: Yes
- LED Innovations: EyeComfort
- Extra Features: Decorative, Dimmable

## Packaging information

- EAN: 046677564858
- EOC: 564856
- Product title:  
4.4ST19/VIN/927/CL/G/E26/DIM  
4/2PF T20

## Power consumption

- Energy Star Certified: No
- Power factor: 0.7
- Voltage: AC 120 V
- Wattage equivalent: 40
- Power: 4.4

## Product dimensions and weight

- Overall height: 9/16 inch
- Overall length: 9/16 inch
- Overall width: 1/4 inch

## Technical specifications

- Frequency: 60
- Bulb technology: LED
- Light color: Warm white light
- can it be used in closed luminaires:  
No

## The bulb

- Software upgradable: No

### What's supported

- Compatible with Effects: No
- Defined support period: Not applicable
- Compatible operating systems: Not applicable
- Communication protocol: Not applicable
- Compatibility with 3rd party systems: Not applicable

### Packaging dimensions and weight

- EAN/UPC - product: 046677564858
- Net weight: 0.09 kg
- Gross weight: 0.15 kg
- Height: 20.4 cm
- Length: 7.1 cm
- Width: 15.6 cm



Issue date: 2026-05-14  
Version: 0.139

© 2026 Signify Holding. All rights reserved. Signify does not give any representation or warranty as to the accuracy or completeness of the information included herein and shall not be liable for any action in reliance thereon. The information presented in this document is not intended as any commercial offer and does not form part of any quotation or contract, unless otherwise agreed by Signify. Philips and the Philips Shield Emblem are registered trademarks of Koninklijke Philips N.V.

[www.lighting.philips.com](http://www.lighting.philips.com)