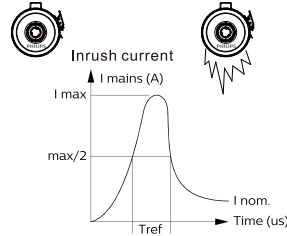


- Do not look directly at led light for a long time to avoid physical discomfort.
- The luminaire shall be installed by a qualified electrician and wired in accordance with the latest IEE electrical regulations or the national requirements.
- The light source of this luminaire is not replaceable, when the light source reaches its end of life the whole luminaire shall be replaced.
- Above average concentration of sulfur affects the useful lifetime of the product. E.g: Light color changes from white to yellow.
- For use in environments where an accumulation of conductive dust on the luminaire may be expected.
- Do not install the luminaire under water.
- Do not install the luminaire in refrigeration house.
- This luminaire can be installed in ammonia environment, typically in livestock applications.
- Do not install the luminaire in the environment where vibration exists.

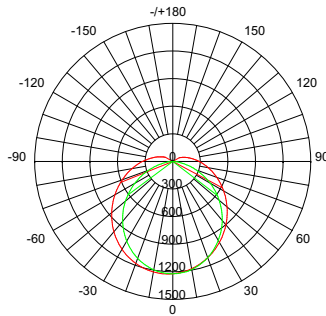


- (\*) For outdoor use:
  - Valid only for PSU luminaires. PSD and WIA versions are not suitable for outdoor operation.
  - PSU luminaires can be installed only under semi-shaded area or the environment blocked by glass. It is not recommended to use it directly exposed to direct sunlight!
  - For outdoor operation at a building: allowed only when all its cables run indoor, with a maximum distance of 10 meters.
- (\*\*\*) Reference Norms: IP67 (DIN EN 60529), IP69K (ISO 20653:2013), IK06



	LED39S				LED50S				LED70S				
	PSU	PSU	PSD	WIA	PSU	PSD	WIA	PSU	PSD	WIA	PSU	PSD	WIA
I <sub>peak</sub> [A]	19.1	19.1	23.1	19	27.2	25.1	19	27.2	25.1	19	27.2	25.1	19
T <sub>ref</sub> [μs]	263	263	221	230	274	214	230	274	214	230	274	214	230
Max. Nr of products													
Drivers / MCB 16A type B [max.]	24	24	22	24	21	21	24	24	24	24	21	21	24
Drivers / MCB 10A type B [max.]	15	15	13	15	13	13	15	13	13	15	13	13	15
Drivers / MCB 16A type C [max.]	40	40	37	40	35	35	40	35	35	40	35	35	40
Drivers / MCB 10A type C [max.]	24	24	22	24	21	21	24	21	21	24	21	21	24

Rated lumen output in emergency mode by emergency unit: min 750lm



For PSD product series, rated light output in DC emergency mode: The luminaire is working on 15% of the normal mode of luminous flux by 220-240V DC supply. Refer to datasheet for detailed specification information.



This marking indicates that this product should not be disposed with other household wastes throughout the EU. To prevent possible harm to the environment or human health from uncontrolled waste disposal, recycle irresponsibly to promote the sustainable reuse of material resources. To return your used device, please use the return and collection systems or contact the retailer where the product was purchased. They can take this product for environmental safe recycling.

© 02/2026 Signify Holding. All rights reserved. This document contains information relating to the product portfolio of Signify which information may be subject to change. No representation or warranty as to the accuracy or completeness of the information included herein is given and any liability for any action in reliance thereon is disclaimed. The information presented in this document is not intended as any commercial offer and does not form part of any quotation or contract. Philips and the Philips Shield Emblem are registered trademarks of Koninklijke Philips N.V.. All other trademarks are owned by Signify Holding or their respective owners.

Signify Holding.  
The Netherlands



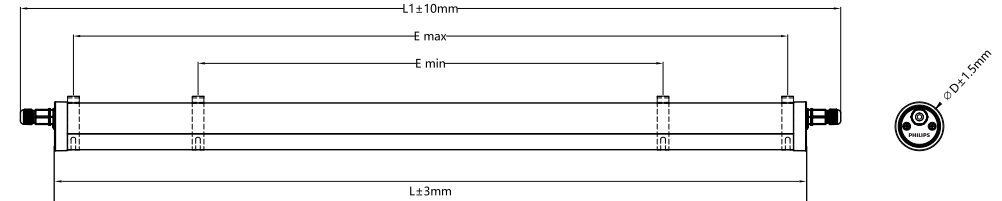
PHILIPS

Coreline tubular  
waterproof

WT210C G2



	System light output (lm)	Colour temperature (K)	Power (W)	Energy efficiency class of light source	kg	Surge rating
WT210C G2 LED50S/840 PSU TW1 PMMAL1200	5000	4000	31	D	1.45	2KV/4KV
WT210C G2 LED39S/840 PSU TW1 PMMAL1500	3900	4000	26	D	1.65	2KV/4KV
WT210C G2 LED70S/840 PSU TW1 PMMAL1500	7000	4000	43.5	D	1.65	2KV/4KV
WT210C G2 LED50S/840 PSD TW1 PMMAL1200	5000	4000	31	D	1.50	1KV/2KV
WT210C G2 LED70S/840 PSD TW1 PMMAL1500	7000	4000	43.5	D	1.75	1KV/2KV
WT210C G2 LED50S/840 WIA TW1 PMMAL1200	5000	4000	31	D	1.45	1KV/2KV
WT210C G2 LED70S/840 WIA TW1 PMMAL1500	7000	4000	43.5	D	1.65	1KV/2KV

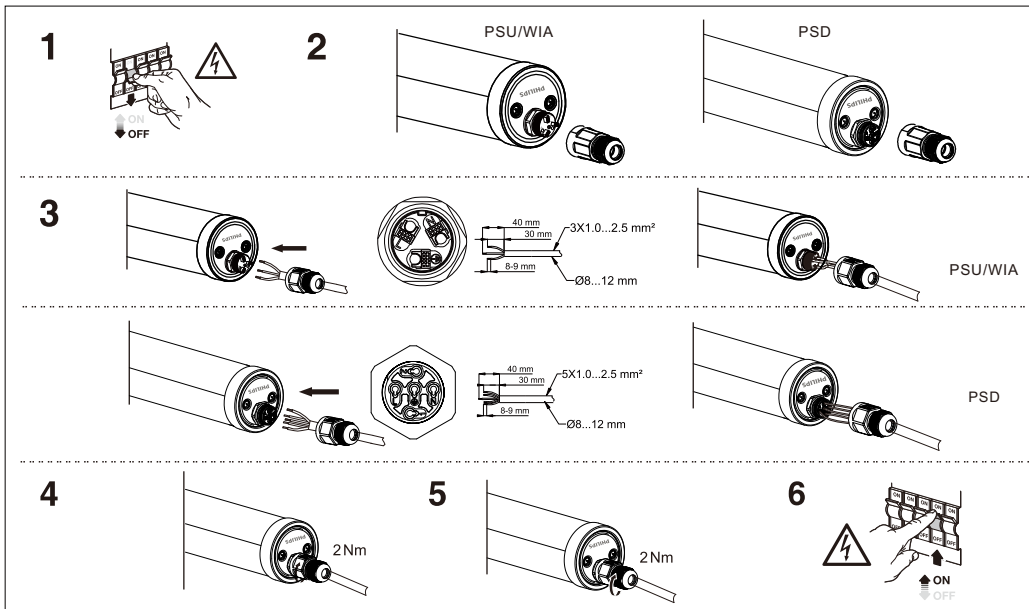


Luminaire type	Dimension (mm)				
	L	L1	E min	E max	D
WT210C G2 L1200	1205	1310	745	1145	79
WT210C G2 L1500	1505	1610	1045	1445	

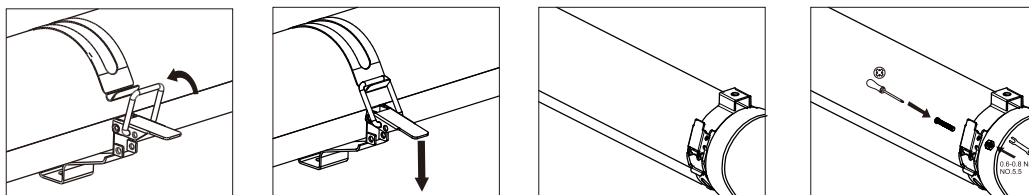
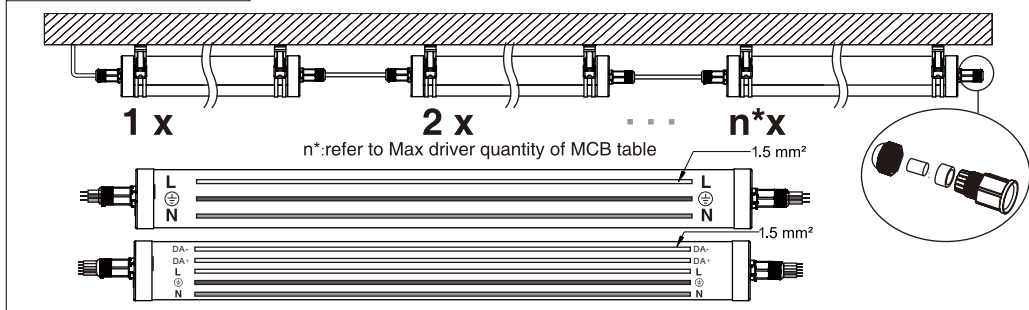
Order separate accessories

Suspension mounting set (Indoor)	Suspension mounting set (Indoor/Outdoor)
2x  2x 2x  2x 2x  2x	 2x 2x
911401828188 WT210Z G2 SW2	911401828288 WT210Z G2 SC

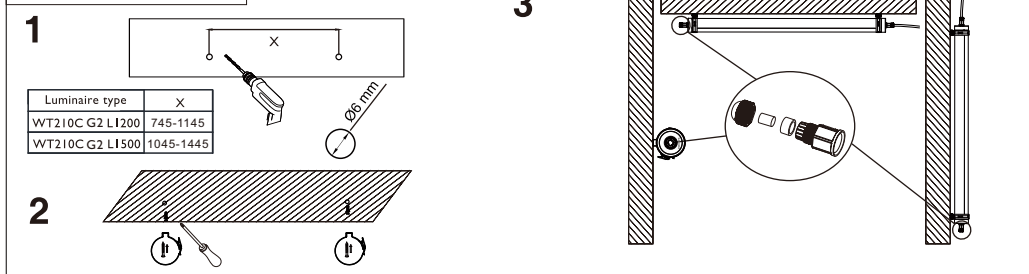
Printed in China  
Data subject to change without notice  
Keep for future reference: www.philips.com/lighting



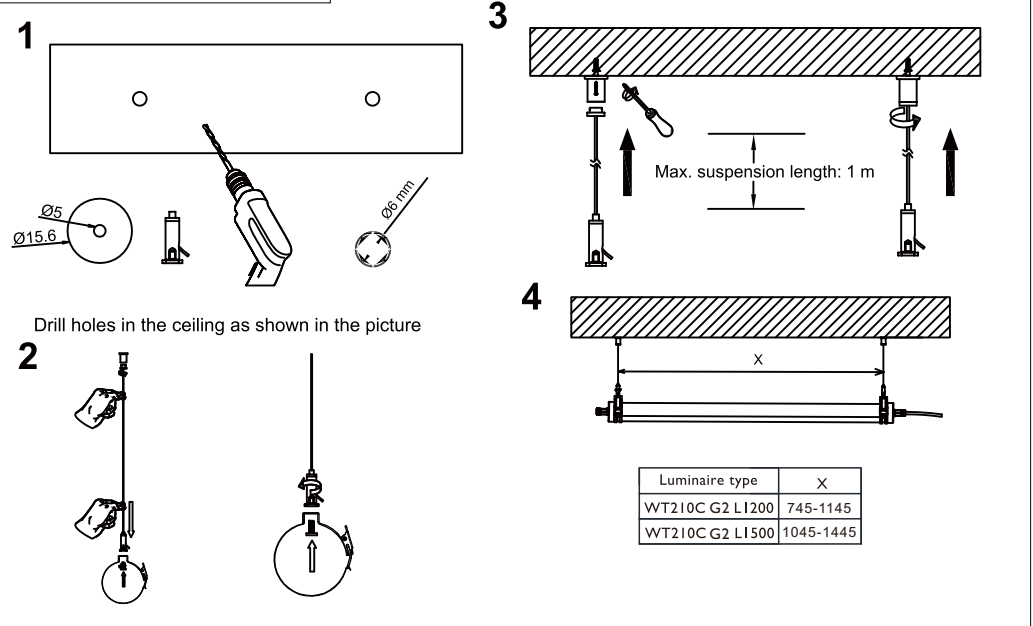
### Through wiring, TWI



### Surface mounting



### Suspension mounting (Indoor)



### Suspension mounting (Indoor/Outdoor\*)

