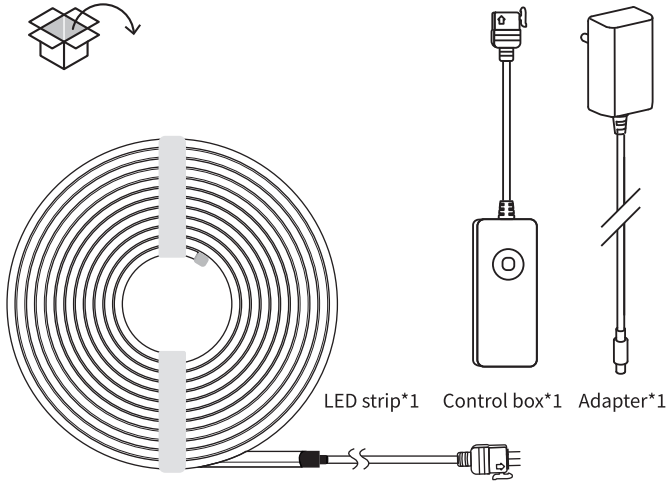
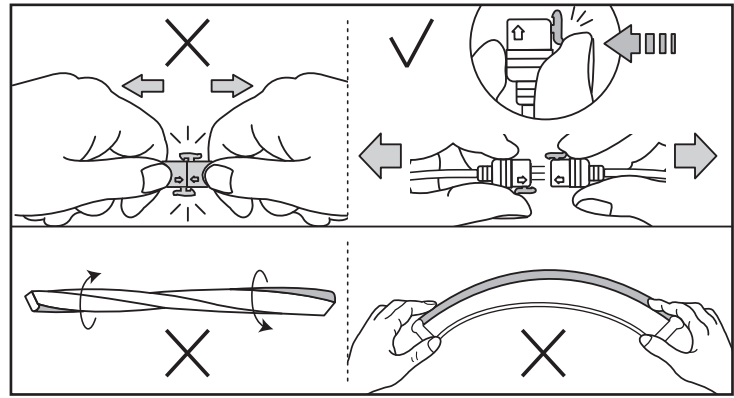


## SMART NEON FLEX STRIP

### Installation manual

9290041262、9290041267、9290041273



- screw\*25
- Expansion buckle\*25
- clip\*25
- adhesive backing\*25

Excluded

