

DESCRIPTION

Corelite's Class A Perf Wall Mount is a semi-indirect fluorescent luminaire with an engineered optical system, which provides an asymmetric forward throw distribution. The perforated fixture housing provides a soft downlight component. The Class A Perf Wall may be mounted over standard 2"x4" J-Boxes for individual or continuous configurations using 4', 8' and 12' modular sections. The Class A Perf Wall is suited for open office perimeters, private offices, conference rooms, corridors and public spaces.

Catalog #		Type
Project		
Comments		Date
Prepared by		

SPECIFICATION FEATURES

A ... Construction

Housing is one piece die-formed cold rolled steel, forming a 6" x 2 7/8" architectural profile. Perforated sections are 23% open with 0.0625" staggered hole pattern and opal diffuser. Standard 4'-0", 8'-0" and 12'-0" fixture lengths combine for continuous runs.

B ... End Plates

Standard laser cut 14-gauge cold rolled steel, mechanically attached with no exposed fasteners. Optional die-cast aluminum end caps also available.

C ... Reflectors

Die-formed reflectors are highly specular anodized aluminum.

D ... Electrical

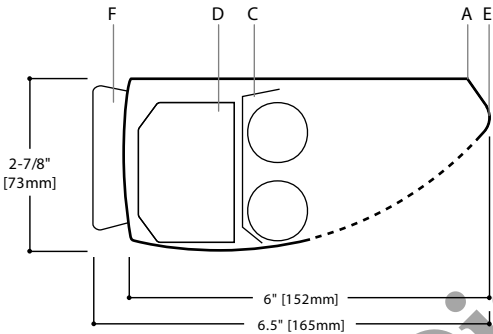
Fixtures are prewired with quick wire connectors and use UL listed Class P, 265ma T8 instant start universal voltage electronic ballasts. Power factor of 95% with less than 10% THD. Fixtures and electrical components certified to UL and CUL standards.

E ... Finish

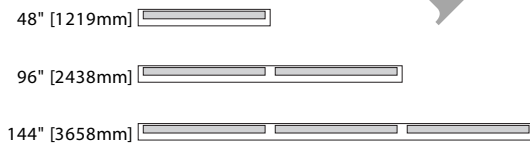
Fixture housings are standard white using electrostatically applied polyester powder coat paint.

F ... Mounting

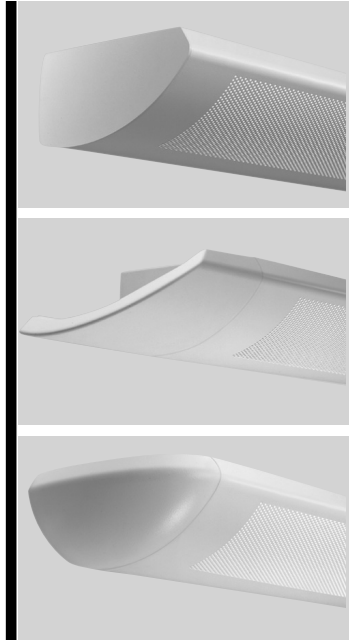
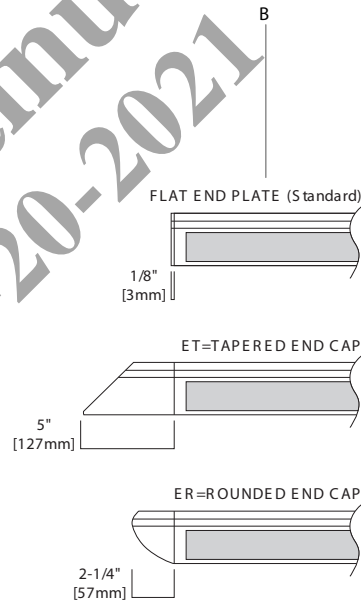
Fixture mounts directly to existing structure over a 2" x 4" standard electrical box mounted horizontally into the wall. Refer to installation section for details.



MODULES AND DIMENSIONS*



*Dimensions do not include end plates.



Class A Perf Wall

2T8

Wall Mount
Semi-Indirect

Light Distribution

Indirect - 90.6%
Direct - 9.4%

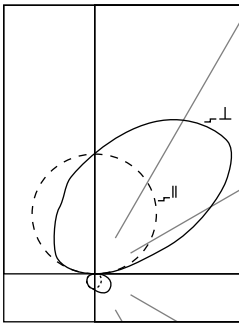
ORDERING INFORMATION

Sample Number: AW-SP-2T8-1C-277-SU-WA-32-ET

Series AW: Class A Perf Wall Mount	Optics Up S: Specular Optics Down P: Round Perf	Number of Lamps 2: 2 Lamps	Lamp Type T8: T8 Normal Output Number of Circuits 1: 1 Circuit 2: 2 Circuits	Wiring B: Battery Pack C: Standard Circuit D: Dimming E: Emergency T: Nightlight Y: Daylight	Voltage 120: 120V 277: 277V 347: 347V UNV: Universal (120V-277V)	Suspension SU-WA: Surface/Wall Mount Run Length Individually Mounted Luminaires may be 4', 8', or 12' in length Continuously Mounted Standard row configurations over 12' consist of 8' and 12' sections	Options ER: Rounded End Cap ET: Tapered End Cap
--	--	--------------------------------------	--	---	---	--	--

Notes: 1 Not all options available. Please consult your Cooper Lighting Solutions Representative for availability.

Specifications and Dimensions subject to change without notice.
Consult your representative for additional options and finishes.



AW-SP-2T8
(2) F32T8/TL841
3000 Lumens

Efficiency 54.7%

Test Report
#LS113580

Coefficients of Utilization

rc	Effective floor cavity reflectance																		
	80%			70%			50%		30%		10%		0%						
rw	70	50	30	10	70	50	30	10	50	30	10	50	30	10	50	30	10	0	
RCR	0	53	53	53	46	46	46	46	33	33	33	21	21	21	10	10	10	05	
	1	49	46	44	42	42	40	39	37	29	28	27	19	18	18	09	09	09	04
	2	44	40	37	34	38	35	32	30	25	24	22	16	15	15	08	08	07	04
	3	40	35	32	29	35	31	28	25	22	20	19	14	13	12	07	07	06	03
	4	37	31	27	24	32	27	24	21	20	18	16	13	12	10	06	06	05	03
	5	34	27	24	21	29	24	21	18	18	15	13	11	10	09	06	05	05	02
	6	31	25	21	18	27	22	18	16	16	13	12	10	09	08	05	04	04	02
	7	28	22	18	15	24	19	16	13	14	12	10	09	08	07	05	04	03	02
	8	26	20	16	13	23	17	14	12	13	10	09	08	07	06	04	03	03	01
	9	24	18	14	11	21	16	12	10	11	09	08	07	06	05	04	03	03	01
	10	22	16	13	10	19	14	11	09	10	08	07	07	05	05	03	03	02	01

Candela

Angle	Along II	45°	Across I
0	110	110	110
5	106	116	121
15	100	125	136
25	91	127	145
35	74	120	146
45	55	108	136
65	20	66	97
75	10	41	67
85	2	24	41
90	6	21	34
95	40	41	32
105	207	322	312
115	353	705	647
125	471	956	1023
135	570	1021	1219
145	652	1032	1194
155	716	985	1120
165	756	914	988
175	779	841	861
180	790	790	790

Zonal Lumen Summary

Zone	Lumens	%Lamp	%Fixture
0-30	84	1.41	2.58
0-40	136	2.28	4.16
0-60	234	3.91	7.14
0-90	308	5.15	9.40
40-90	172	2.87	5.24
60-90	74	1.24	2.27
90-180	2975	49.58	90.60
0-180	3283	54.73	100.00

Luminance Data

Angle in Deg	0-Deg cd/s/m	45-Deg cd/s/m	90-Deg cd/s/m
45	782	1539	1949
55	614	1585	2108
65	476	1575	2309
75	388	1589	2613
85	230	2789	4732

COMMON CIRCUIT CONFIGURATIONS FOR TWO LAMP SUSPENDED FIXTURE

2C=Two circuit luminaire

2E=Two circuit luminaire with emergency circuit

1B=Single circuit luminaire with battery pack

/1/ =Circuit 1

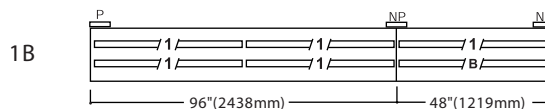
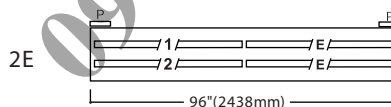
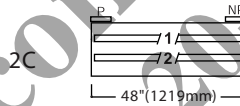
/2/ =Circuit 2

/E/ =Emergency Circuit

/B/ =Battery Circuit

=Power Mount

=Non-Power Mount



STANDARD ROW CONFIGURATIONS

FIXTURE LENGTH	4'	8'	12'	16'	20'	24'	28'	32'	36'	40'	44'	48'	52'	56'	60'	64'	68'	72'	76'	80'	84'	88'	92'	96'	100'	104'	108'		
4'	1																												
8'		1		2	1		2	1		2	1		2	1		2	1		2	1		2	1		2	1		2	1
12'			1		1	2	1	2	3	2	3	4	3	4	5	4	5	6	5	6	7	6	7	8	7	8	9		