

New name, same Shine! A fully luminous flexible architectural troffer available in 15 grid sizes, optional air handling, and below the ceiling access.

Shine Definition includes AccuRender technology for the highest color quality at the highest efficacy.

Project: _____
 Location: _____
 Cat.No: _____
 Type: _____
 Line ID: _____ Qty: _____
 Notes: _____

Ordering guide

quickship options

Example: 3322D1STL93540A1DE

Family	Size ^{4,5,7}	Version ⁵	Configuration	Source	CRI/CCT ¹	Lumens ¹					
33			ST	L							
33 Shine Definition	24 2'x4' M4 600x1200mm	D1 Standard T-Grid	ST Standalone	L LED	940 CRI 90, 4000K 935 CRI 90, 3500K 930 CRI 90, 3000K 950 CRI 90, 5000K 927 CRI 90, 2700K	80 8000lm 75 7500lm 70 7000lm 65 6500lm 60 6000lm 55 5500lm 50 5000lm 45 4500lm 40 4000lm					
		C1 Standard T-Grid + Chicago Plenum									
		A1 Standard T-Grid + Air Return									
	14 1'x4' 22 2'x2'										
								52 20"x2" M2 600x600mm M5 300x1200mm			
								30 30"x30" M7 750x750mm			
	12 1'x2' M3 300x600mm										
								30 30"x30" M7 750x750mm			
								12 1'x2' M3 300x600mm			
	11 1'x1' M1 300x300mm										
								11 1'x1' M1 300x300mm			
											Other options may be ordered in increments of 100lm between the lowest and highest lumen options available for a given size (not available for QuickShip)
	Optics	Wiring ^{2,6,7}					Voltage ^{2,6}	Driver (Dim %) ⁶	Option	Integral Sensors & Control System ^{3,8}	
	A										
	A Acrylic Silk Lens	1 1 Circuit					D UNV 120-277V 3 347V	E Advance Xitanium 0-10V (1%) D Advance Xitanium DALI-2 D4i (1%) H Lutron EcoSystem LDE1 (<1%, FtB) S Advance Xitanium SR, DALI-2 D4i (1%, Dim-to-off, Fade-to-on)	N None P Pre-Installed Flex Whip (6', 6C)	CS Interact Sensor (Day/Occ) SB Interact Enterprise Sensor Bundle (Day/Occ + IoT)	
B 1 Circuit + Battery Pack											

- Nominal values within a range. Consult photometry data for CRI, CCT, lumens & distribution of chosen configuration
 - Not all wiring types are available with all configurations. Consult Ledalite for a complete list of available options.
 - Integral Sensors must be ordered with Advance Xitanium SR Driver (S).
 - Filler Panels available for 20"x4" size to accommodate a 20"x60" grid system. Air Return filler panels available as an option when accommodating 20"x60" grid systems. See page 3 for orderable options.
 - Air Return version available in 2'x2' and 2'x4' sizes only. Consult factory for other sizes.
 - 347V not available with Battery Pack, DALI, Lutron EcoSystem, SR drivers, or Interact controls. Consult factory for options using step-down transformers.
 - 1'x1' & 300x300mm sizes not available with Battery Pack, DALI, Lutron EcoSystem, SR drivers, or Interact controls.
 - Interact options may require an IRT9015 Interact commissioning remote or other separate controls hardware by Signify.
- Note:** Due to continuing product improvements, Ledalite reserves the right to change the specifications without notice.

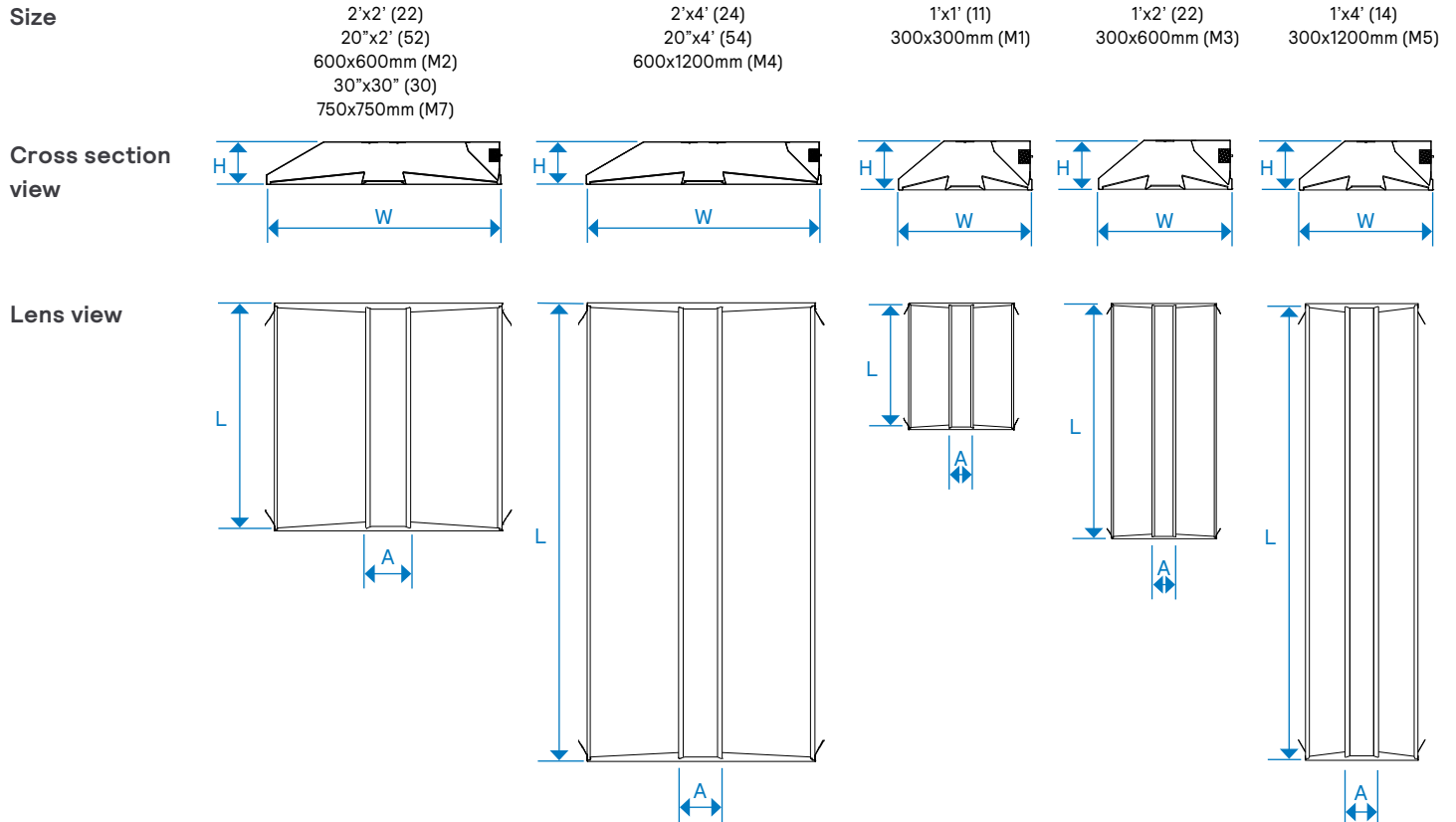
DLC Note: Not all product variations listed on this page are DLC qualified. To ensure that a specific model is qualified, visit www.designlights.org/search



Shine Definition Architectural Recessed

Imperial & Metric sizes

Dimensions



Size	W	L	H	A
2'x2' (22)	23.75" [603mm]	23.66" [602mm]	4.375" [110mm]	4.500" [114mm]
20'x2' (52)	19.78" [502mm]	23.66" [602mm]	4.375" [110mm]	4.500" [114mm]
600x600mm (M2)	23.41" [595mm]	23.31" [592mm]	4.375" [110mm]	4.500" [114mm]
30'x30' (30)	29.74" [755mm]	29.66" [753mm]	4.375" [110mm]	4.500" [114mm]
750x750mm (M7)	29.29" [744mm]	29.21" [742mm]	4.375" [110mm]	4.500" [114mm]
2'x4' (24)	23.75" [603mm]	47.38" [1210mm]	4.375" [110mm]	4.500" [114mm]
20'x4' (54)	19.78" [502mm]	47.66" [1211mm]	4.375" [110mm]	4.500" [114mm]
600x1200mm (M4)	23.41" [595mm]	46.92" [1192mm]	4.375" [110mm]	4.500" [114mm]
1'x1' (11)	11.75" [298mm]	11.75" [298mm]	4.375" [110mm]	3.500" [89mm]
300x300mm (M1)	11.53" [293mm]	11.50" [292mm]	4.375" [110mm]	3.500" [89mm]
1'x2' (22)	11.75" [298mm]	23.66" [602mm]	4.375" [110mm]	3.500" [89mm]
300x600mm (M3)	11.53" [293mm]	23.31" [592mm]	4.375" [110mm]	3.500" [89mm]
1'x4' (14)	11.75" [298mm]	47.38" [1210mm]	4.375" [110mm]	3.500" [89mm]
300x1200mm (M5)	11.53" [293mm]	46.92" [1192mm]	4.375" [110mm]	3.500" [89mm]

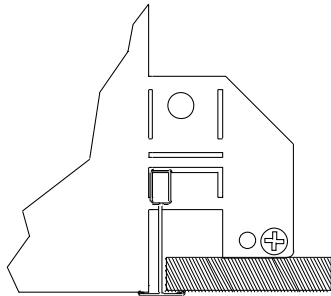
Shine Definition Architectural Recessed

Imperial & Metric sizes

Mounting details

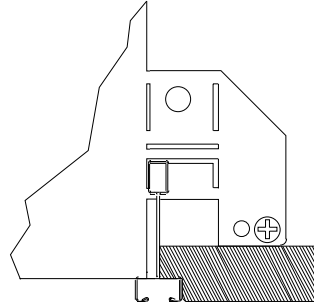
Flat T-Grid

Integrates with most common T-Grid types. Works with 9/16" & 15/16" flat T-Grid ceilings



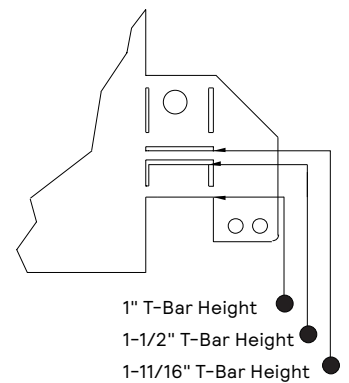
Slot T-Grid

Can be used with slot T-Grid ceilings. For 9/16" slot T-Grid ceilings, fixture will sit 5/16" above bottom of T-Bar.



Ceiling Types

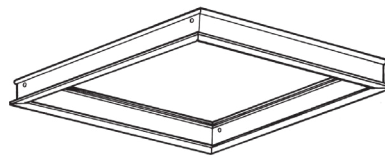
Integrated mounting tabs can be field-adjusted to various T-Grid ceiling heights for fastening directly to the T-Bar and/or tied off to the building structure.



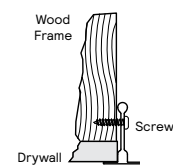
Drywall Trim Mounting Frame

The Ledalite drywall trim mounting frame assembly is designed to permit use of grid (NEMA G) fixtures in drywall or ceilings requiring flanges. Mounting frame is ordered separately and compatible with standalone recessed product. Frame can be installed directly to a solid frame (such as wood) or via hanger wires. Finish is white.

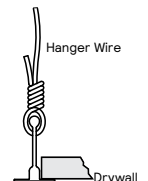
Extruded aluminum construction with mitered corners. Includes screws for complete assembly. Standard sizes shown below, with any others sizes available upon request.



Wood Frame Hanger Wire



Wood frame and screws supplied by others.



Hanger wires supplied by others.

Drywall Frame Ordering Code	Size
300DK02	1'x4'
300DK03	2'x2'
300DK04	2'x4'
300DK12	1'x1'
300DK06	20"x2'
300DK07	20"x4'
300DK11	600x600mm
300DK13	600x1200mm

More information available [here](#).

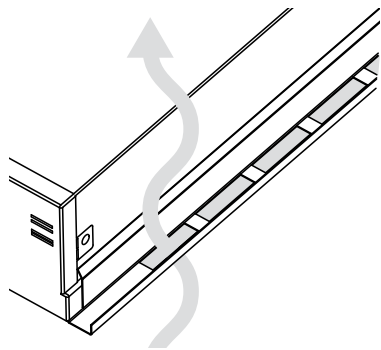
Shine Definition Architectural Recessed

Imperial & Metric sizes

Mounting details (continued)

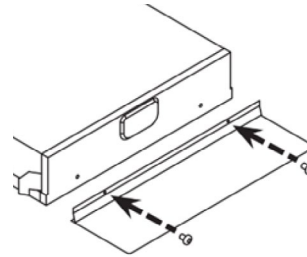
Air Return Vents

The air return version features slotted vents along the sides of the fixture. As a result, the installation method of the air return version may be different to the standard version, please consult the installation instruction sheet. Available in 2'x2' and 2'x4' sizes. Air return side rails are finished in black. If white rails or other sizes are required please consult factory.



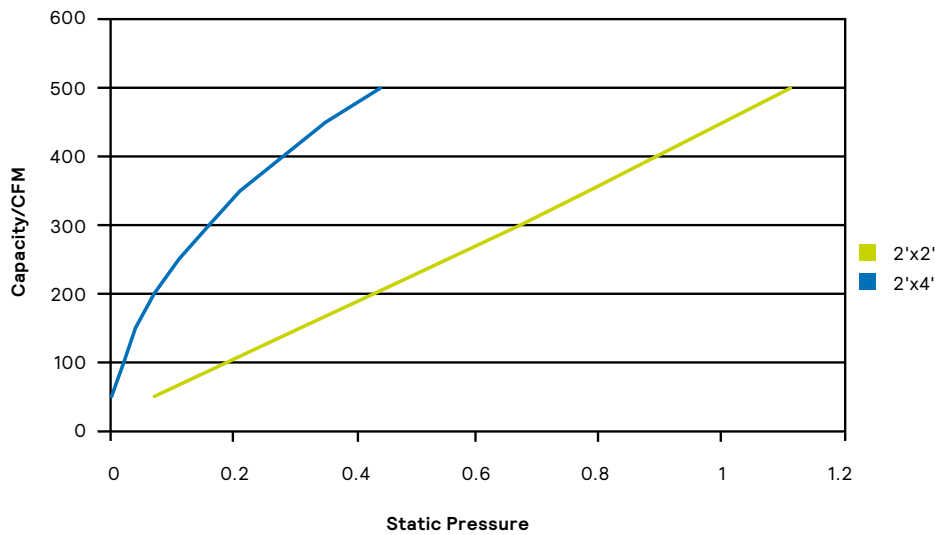
Filler Panel (20"x4' only)

Attach filler panels to ends of housing using two supplied screws shown below. Allows product to fit seamlessly in 20"x60" grid systems. Filler Panels must be ordered separately. Comes in a set of 2 pieces for a single luminaire.



Ordering Code	Panel Type
947K001	Solid Filler Panels
949K001	Air Return Perforated Filled Panels

Air Return Performance Data



Model	Capacity/CFM	50	100	150	200	250	300	350	400	450	500
2'x2'	Static Pressure	0.07	0.19	0.31	0.43	0.55	0.67	0.78	0.89	1.00	1.11
	NC (dB)	<15	21	27	32	35	38	41	43	44	46
2'x4'	Static Pressure	0.00	0.02	0.04	0.07	0.11	0.16	0.21	0.28	0.35	0.44
	NC (dB)	<15	<15	<15	16	23	28	32	36	39	42

1. Static pressure given in inches, WG.
2. Sound ratings, NC, sound pressure levels are based on a room absorption of 10dB re10-12 watts.
3. Air Return version available in 2'x2' and 2'x4' sizes only.

Shine Definition Architectural Recessed

Imperial & Metric sizes

Specifications

Optical System

Optical system consists of highly reflective powder coated interior reflectors and three flat acrylic lenses.

Finish

Housing and Frame: Post-painted, high quality powder coat. Available in white.

Housing

Die-formed, post-painted, 22 & 24 gauge cold-rolled steel. Wire entrance is positioned on the side and/or top of housing to allow easy wiring access for installation. Access to boards and drivers from below via side lens cavity. T-bar clips built into the luminaire ends for quick and easy installation. Optional perforated or solid filler panels for 20"x4' fixtures to accommodate 60" ceiling grid.

Weight

Maximum 40lbs (2'x4' with Battery Pack).

Electrical

LED boards are easily field replaceable, if required. Fixtures are factory pre-wired and tested for all circuits and backup battery packs; all leads pulled to a side access with cover plate.

Standard Drivers

Advance Xitanium 0-10V (1%)

Advance Xitanium DALI-2 D4i (1%)

Advance Xitanium SR (Sensor Ready), DALI-2 D4i (1%, Dim-to-off, Fade-to-on)

Lutron EcoSystem LDE1 (<1%, Soft-on, Fade-to-Black)

Class 2 rated output.

Consult Ledalite for other available drivers.

Standard Battery Pack

Bodine, 90 min, 10W, Class 2 rated output, Emergency lumen output = 10W x luminaire efficacy x 1.1. Typical output: 1300lm.

Lumen Maintenance

LEDs have been tested by the manufacturer in accordance with IESNA LM-80-08. At an ambient temperature of 25°C, the LED lumen maintenance expectation according to IES TM-21-11 is: L80 (10k) >60,000 hrs (Reported methodology).

Source Color

LEDs rated for color rendering of:

CRI >90 & R9>50

Fixture to fixture color accuracy within 3 SDCM.

Mounting

Compatible with 9/16" & 15/16" lay-in acoustical ceilings using exposed grid suspension (NEMA type G). For 9/16" slot T-grid ceilings, fixture will sit 5/16" above bottom of Tee. Integrated tabs are provided for different T-grid heights. Optional Drywall Trim Mounting Frame can be fastened to a wood frame or installed with hangar wire.

Wiring

Optional armored cable flex whips are supplied in 6' lengths.

Approvals

Certified to UL & CSA Standards. City of Chicago Approved CCEA (housing option C).

Certain product configurations are DesignLights Consortium qualified. Please see the DLC QPL list for exact catalog numbers under DLC Family Code RRRXLU.

www.designlights.org/QPL

Shine Definition (formerly Shine) is Declare label certified.

More information on the Shine label can be found on <https://declare.living-future.org/> and through the Declare ID **SGY-0012**.

Select Shine configurations contribute toward satisfying features L06, L07 and L08 under the WELL v2 Building Standard®.

Luminaires that include Interact Pro controls options can help meet the requirements in 90.1-2022, IECC 2021, and CA T24 2022 for a maximum of 20 min. time out for occupancy controls.

Warranty

Five-year luminaire limited warranty including LED boards and driver.

www.signify.com/warranties

Environment

Type IC, rated for dry or damp locations in operating ambient temperatures of 25±5°C (77±9°F). Many luminaire components, such as reflectors, refractors, lenses, and LEDs are made from various types of plastics which can be adversely affected by airborne contaminants. If sulfur based chemicals, petroleum based products, cleaning solutions, or other contaminants are expected in the intended area of use, consult factory for compatibility. Damage caused by sulfur, chlorine, petroleum based solution or other contaminants are not covered under warranty.

QuickShip

10-day QuickShip available for most configurations upon request. More information available at:

www.signify.com/en-us/brands/ledalite/about-us/quickship

Shine Definition Architectural Recessed

Imperial & Metric sizes

Environment

Rated for dry or damp locations in operating ambient temperatures of 25±5°C (77±9°F).

Many luminaire components, such as reflectors, refractors, lenses, and LEDs are made from various types of plastics which can be adversely affected by airborne contaminants. If sulfur-based chemicals, petroleum-based products, cleaning solutions, or other contaminants are expected in the intended area of use, consult factory for compatibility. Damage caused by sulfur, chlorine, petroleum-based solution or other contaminants are not covered under warranty. Not suitable for natatorium environments.

Warranty

Five-year luminaire limited warranty including LED boards and driver: www.signify.com/warranties

Interact Control Options

Interact radio node for Standalone, Gateway & Gateway + IoT tiers (RA)

- RA sensor option is a connected radio node supporting wireless mesh connectivity.
- Compatible with standalone and gateway modes of Interact.

Interact occupancy & daylight sensor for Standalone, Gateway & Gateway + IoT tiers (CS)

- The CS sensor option is a connected sensor with built-in occupancy and daylight detection, along with wireless mesh connectivity.
- Compatible with standalone and gateway modes of Interact.

Interact advanced sensor bundle for Gateway + IoT tier (SB)

- SB sensor option offers occupancy and daylight sensing and supports advanced IoT capabilities, such as desk-level temperature and humidity monitoring, noise classification, and Bluetooth Low Energy (BLE) beacon functionality.
- Setup requires a compatible gateway and internet connectivity.
- With compatible gateway and software analytics, SB sensor option enables greater building efficiency, seamless system integration, and optimized space utilization through occupancy and environmental insights.

Other Control Options

Tunable White & BioUp

- Tunable white options are available with Interact wireless, Lutron Athena wireless or with 2ch 0-10V or DALI-2 (DT6 or DT8) wired drivers. Please inquire about options such as DMX control (extended lead times may apply).
- Signify tunable white solutions are designed to help maximize the influence of lighting on your daily life.
- Signify BioUp helps support daytime circadian rhythm for engagement during the day and good sleep quality at night.
- Dynamic behaviors via scheduled lighting recipes mimicking daylight patterns or supporting biorhythms.
- Scene setting via lighting pre-sets based on various combinations of lighting color temperature and intensity.

Controls Ordering Codes

Many 3rd party control solutions can be used separate of the luminaire when the correct driver is specified (i.e. 0-10V, DALI, EcoSystem). Consult Ledalite for other integral sensors, remote sensors, and custom requests such as those from Encelium, Wattstopper, or others.

Wireless & Connected Controls

- Interact RADIO only node (RA)
- Interact wireless day & occ. Connected Sensor (CS)
- Interact advanced wireless Sensor Bundle (SB)
- Lutron Athena Sensor AWNS (AS)
- Lutron Athena Node AWNR (AR)
- Lutron Vive Sensor VDO (VS)
- Lutron Vive Node VRF (VR)

Discrete Controls

- Basic Daylight and Occupancy (DO)

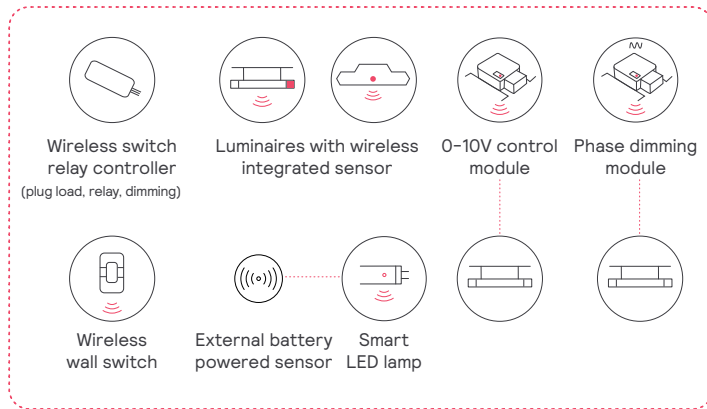
Interact for intelligent buildings sensor option codes across Genlyte product lines*

	Sensor Part Number	Day-Brite	Ledalite	Lightolier
Zigbee + Bluetooth	SC100B	RADIO	RA	RA
Zigbee + Bluetooth + Sensing	SC200B	SWZCS	CS	SBA or SWCS accessory
Zigbee + Bluetooth + Sensing + Environmental data	SC1500	IAOSB	SB	SBA or SWCS accessory
Zigbee + Highbay + Sensing	SNH210 IA	SWZCSH	-	-

Shine Definition Architectural Recessed

Imperial & Metric sizes

Signify interact Easy. Effective. Smart.



Meet Interact

A smart, wireless luminaire level lighting control system (LLLLC). A complete solution that combines modern and intuitive technologies for easy installation and specification.

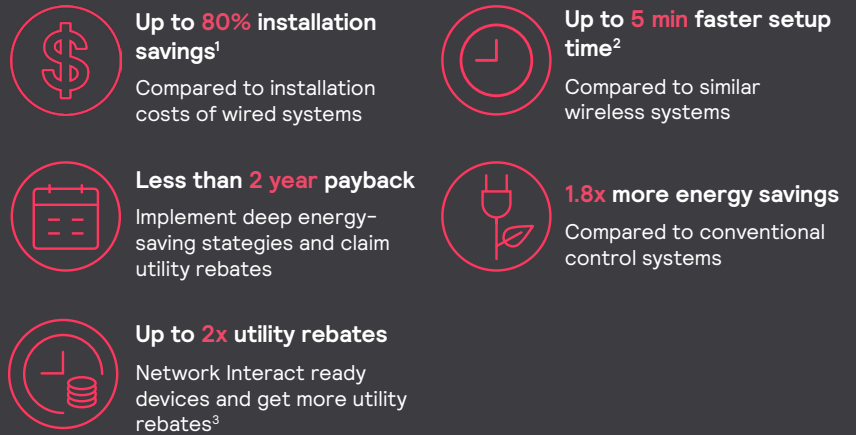
- Works with or without gateway
- **No** IT
- **No** light point restrictions
- **Up to 75%** out of the box savings
- **Fast & easy**
- **Code & rebates** compliant

Capabilities



*Grouping, zoning, dimming, high-end trimming, scenes, scheduling, manual controls

Benefits



1. Versus legacy systems based on installer interviews
2. Based on installer analysis done by Signify for a typical multi-zone space
3. Utility programs across US

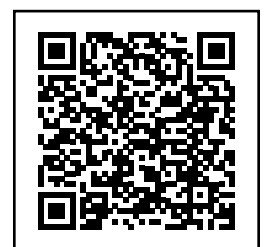
Just lights and an App



1. Install the Interact ready fixtures with embedded smart sensor
2. Install the wireless wall switch
3. Configure your setup with the Interact App
4. Leverage the IRT9015 remote accessory to accelerate your setup process
5. Optionally add a gateway for insights and management

Learn more about Interact:

Interact includes an app, a web portal, and a comprehensive range of Interact ready wireless luminaires, lamps, retrofit kits, and control devices like switches and sensors that operate within the same system.



Shine Definition Architectural Recessed

Imperial & Metric sizes

Colorimetry

Shine Definition: AccuRender Static White

Nominal CRI & CCT		CRI 90, 2700K	CRI 90, 3000K	CRI 90, 3500K	CRI 90, 4000K	CRI 90, 5000K
CIE 013.3-1995 ¹	CRI R_a	94	93	93	93	93
	R_9	55	57	59	64	68
	G_s	99	99	99	99	99
	C_9	93	93	93	93	94
IES TM-30-18 ²	R_f	92	91	91	91	90
	R_{f,h_1}	90	90	90	91	89
	R_g	100	100	99	100	100
	R_{cs,h_1}	-6%	-5%	-6%	-5%	-5%
MDER ³		0.45	0.51	0.58	0.65	0.81

1. Color Rendering Index (CRI Ra) and Strong Red (R9) are calculated in accordance with CIE 013.3-1995. Color Gamut index (Ga) and red chroma Index (C9) are CIE based properties using the Global Lighting Association's calculation tool.

2. Fidelity Index (Rf), Red Fidelity Index (Rf,h1), Gamut Index (Rg), and Red Local Chroma Shift (Rcs,h1) are calculated in accordance with IES TM-30-18.-18.

3. Melanopic Daylight Efficacy Ratio (MDER) is the measure for "spectral melanopic efficiency" as defined in CIE S 026-2018.

Shine Definition Architectural Recessed

Imperial & Metric sizes

Photometry

2'x2' (22)

[Click "PDF" or "IES" text to download](#)

Nominal CRI & CCT		CRI 90, 2700K					CRI 90, 3000K					CRI 90, 3500K					CRI 90, 4000K					CRI 90, 5000K				
Nominal Lumen Package	Watts	Flux	Efficacy (LPW)	UGR*	Photometry Report	IES File	Flux	Efficacy (LPW)	UGR*	Photometry Report	IES File	Flux	Efficacy (LPW)	UGR*	Photometry Report	IES File	Flux	Efficacy (LPW)	UGR*	Photometry Report	IES File	Flux	Efficacy (LPW)	UGR*	Photometry Report	IES File
5000	45.3	4,623	102.1	20.5	PDF	IES	4,755	105.0	20.6	PDF	IES	5,003	110.4	20.8	PDF	IES	4,988	110.1	20.8	PDF	IES	5,114	112.9	20.9	PDF	IES
4500	40.5	4,153	102.5	20.1	PDF	IES	4,273	105.5	20.2	PDF	IES	4,491	110.9	20.4	PDF	IES	4,482	110.7	20.4	PDF	IES	4,593	113.4	20.5	PDF	IES
4000	35.4	3,706	104.7	19.8	PDF	IES	3,814	107.7	19.8	PDF	IES	4,004	113.1	20.0	PDF	IES	4,000	113.0	20.0	PDF	IES	4,099	115.8	20.1	PDF	IES
3500	30.6	3,247	106.1	19.3	PDF	IES	3,342	109.2	19.4	PDF	IES	3,506	114.6	19.6	PDF	IES	3,506	114.6	19.6	PDF	IES	3,592	117.4	19.6	PDF	IES
3000	26.1	2,777	106.4	18.7	PDF	IES	2,859	109.5	18.8	PDF	IES	2,998	114.9	19.0	PDF	IES	3,000	114.9	19.0	PDF	IES	3,072	117.7	19.1	PDF	IES
2500	21.8	2,316	106.2	18.1	PDF	IES	2,386	109.4	18.2	PDF	IES	2,500	114.7	18.4	PDF	IES	2,502	114.8	18.4	PDF	IES	2,561	117.5	18.5	PDF	IES

2'x4' (24)

[Click "PDF" or "IES" text to download](#)

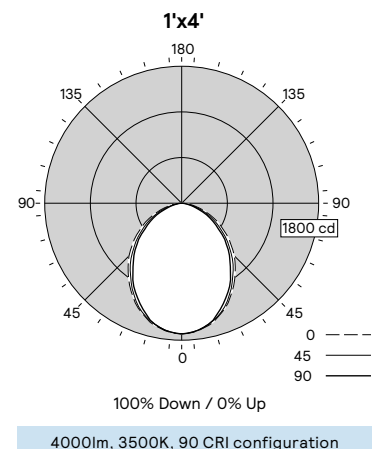
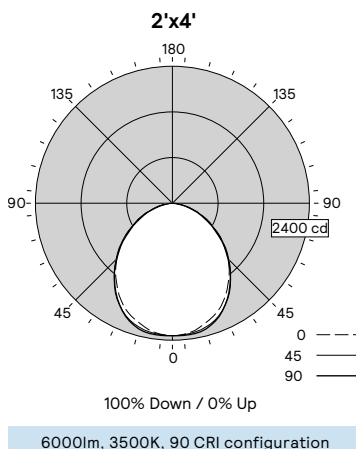
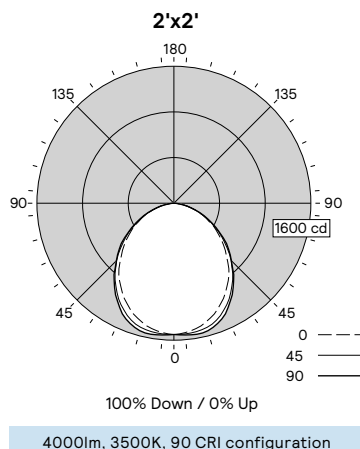
Nominal CRI & CCT		CRI 90, 2700K					CRI 90, 3000K					CRI 90, 3500K					CRI 90, 4000K					CRI 90, 5000K				
Nominal Lumen Package	Watts	Flux	Efficacy (LPW)	UGR*	Photometry Report	IES File	Flux	Efficacy (LPW)	UGR*	Photometry Report	IES File	Flux	Efficacy (LPW)	UGR*	Photometry Report	IES File	Flux	Efficacy (LPW)	UGR*	Photometry Report	IES File	Flux	Efficacy (LPW)	UGR*	Photometry Report	IES File
8000	63.5	7,403	116.6	19.9	PDF	IES	7,621	120.0	20.0	PDF	IES	7,997	125.9	20.1	PDF	IES	7,990	125.8	20.1	PDF	IES	8,188	128.9	20.2	PDF	IES
7500	59.0	6,946	117.7	19.6	PDF	IES	7,154	121.3	19.7	PDF	IES	7,504	127.2	19.9	PDF	IES	7,496	127.1	19.9	PDF	IES	7,682	130.2	20.0	PDF	IES
7000	54.6	6,485	118.8	19.4	PDF	IES	6,681	122.4	19.5	PDF	IES	7,005	128.3	19.7	PDF	IES	6,999	128.2	19.7	PDF	IES	7,171	131.3	19.7	PDF	IES
6500	50.4	6,019	119.4	19.1	PDF	IES	6,202	123.1	19.2	PDF	IES	6,501	129.0	19.4	PDF	IES	6,496	128.9	19.4	PDF	IES	6,655	132.0	19.5	PDF	IES
6000	46.1	5,548	120.3	18.9	PDF	IES	5,717	124.0	19.0	PDF	IES	5,992	130.0	19.1	PDF	IES	5,989	129.9	19.1	PDF	IES	6,133	133.0	19.2	PDF	IES
5500	41.9	5,093	121.6	18.6	PDF	IES	5,249	125.3	18.7	PDF	IES	5,500	131.3	18.8	PDF	IES	5,499	131.2	18.8	PDF	IES	5,630	134.4	18.9	PDF	IES
5000	38.4	4,634	120.7	18.2	PDF	IES	4,776	124.4	18.3	PDF	IES	5,004	130.3	18.5	PDF	IES	5,005	130.3	18.5	PDF	IES	5,122	133.4	18.6	PDF	IES
4500	34.4	4,172	121.3	17.9	PDF	IES	4,299	125.0	18.0	PDF	IES	4,503	130.9	18.1	PDF	IES	4,507	131.0	18.1	PDF	IES	4,610	134.0	18.2	PDF	IES
4000	30.4	3,705	121.9	17.4	PDF	IES	3,817	125.6	17.6	PDF	IES	3,998	131.5	17.7	PDF	IES	4,004	131.7	17.7	PDF	IES	4,093	134.6	17.8	PDF	IES

1'x4' (14)

[Click "PDF" or "IES" text to download](#)

Nominal CRI & CCT		CRI 90, 2700K					CRI 90, 3000K					CRI 90, 3500K					CRI 90, 4000K					CRI 90, 5000K				
Nominal Lumen Package	Watts	Flux	Efficacy (LPW)	UGR*	Photometry Report	IES File	Flux	Efficacy (LPW)	UGR*	Photometry Report	IES File	Flux	Efficacy (LPW)	UGR*	Photometry Report	IES File	Flux	Efficacy (LPW)	UGR*	Photometry Report	IES File	Flux	Efficacy (LPW)	UGR*	Photometry Report	IES File
5000	48.0	4,613	96.1	21.0	PDF	IES	4,745	98.9	21.1	PDF	IES	4,995	104.1	21.3	PDF	IES	4,978	103.7	21.3	PDF	IES	5,105	106.4	21.4	PDF	IES
4500	42.2	4,156	98.5	20.6	PDF	IES	4,275	101.3	20.7	PDF	IES	4,495	106.5	20.9	PDF	IES	4,484	106.3	20.9	PDF	IES	4,596	108.9	21.0	PDF	IES
4000	37.4	3,701	99.0	20.2	PDF	IES	3,808	101.8	20.3	PDF	IES	4,000	107.0	20.5	PDF	IES	3,995	106.8	20.5	PDF	IES	4,093	109.4	20.6	PDF	IES
3500	32.1	3,234	100.7	19.8	PDF	IES	3,328	103.7	19.9	PDF	IES	3,492	108.8	20.0	PDF	IES	3,491	108.8	20.0	PDF	IES	3,576	111.4	20.1	PDF	IES
3000	27.3	2,771	101.5	19.2	PDF	IES	2,853	104.5	19.3	PDF	IES	2,991	109.6	19.5	PDF	IES	2,993	109.6	19.5	PDF	IES	3,065	112.3	19.6	PDF	IES
2500	22.9	2,316	101.1	18.6	PDF	IES	2,386	104.2	18.7	PDF	IES	2,500	109.2	18.9	PDF	IES	2,502	109.3	18.9	PDF	IES	2,561	111.8	19.0	PDF	IES

* UGR given at 3500K, based on 4Hx8Hx0.25H. UGR can be calculated at other CCTs by importing the ies file into lighting design software.



© 2026 Signify Holding. All rights reserved. The information provided herein is subject to change, without notice. Signify does not give any representation or warranty as to the accuracy or completeness of the information included herein and shall not be liable for any action in reliance thereon. The information presented in this document is not intended as any commercial offer and does not form part of any quotation or contract, unless otherwise agreed by Signify.



Signify North America Corp.
400 Crossing Blvd, Suite 600
Bridgewater, NJ 08807
Telephone: 800-555-0050

Signify Canada Ltd.
281 Hillmount Road,
Markham, ON, Canada L6C 2S3
Telephone: 800-668-9008

All trademarks are owned by Signify Holding or their respective owners.