



Day-Brite / CFI FCY value high bay is an economical combination of solid performance and quality construction. This product is ideally suited for use in mid- to high ceiling applications including industrial, warehouses, gymnasiums, and big box retail.



Lumen Select Switch



CCT with Select Switch



UNV Auto Sensing 120-277V



UN3 Auto Sensing 120-347V

Project: _____
Location: _____
Cat. No: _____
Type: _____
Qty: _____
Notes: _____

Ordering guide

Example: FCY1524L8CST-UNV-DIM

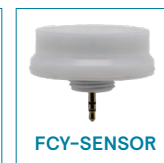
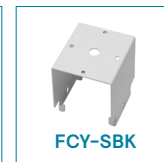
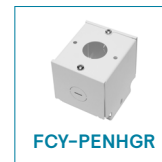
Series	Lumens ¹ (nominal)	Color (CRI/CCT)	Voltage	Driver	Options
FCY Value high bay LED dual select	0815L 8000/12000/15000lm 1524L 15000/18000/24000lm 2436L 24000/30000/36000lm	8CST Color Select 80 CRI 4000/5000K CCT	UNV Universal 120-277V UN3 Universal 120-347V	DIM 0-10v dimming	EM External mounted emergency battery (see details in Emergency Battery features section)

- Nominal delivered lumens at 25°C ambient.
- For areas where luminaires are subject to high impact (gymnasiums, etc), rigid pendant hanging is not to be used. Use hook or cable/chain assembly for mounting in these areas. Pendant hanger and surface bracket cannot be used with emergency battery versions.
- Wire guards are strongly suggested to be used in areas where luminaires are subject to high impact (gymnasiums, etc). Use provided screws to hold suspending hooks in place when using wire guards.

Note: Many luminaire components, such as reflectors, lenses, sockets, lampholders, and LEDs are made from various types of plastics which can be adversely affected by airborne contaminants. If sulfur based chemicals, petroleum based products, cleaning solutions, or other contaminants are expected in the intended area of use, consult factory for compatibility.

Accessories (order separately)

- FCY-PENHGR24²** Pendant hanger accessory for FCY0815L and FCY1524L (adds 2.5" to height)
- FCY-PENHGR36²** Pendant hanger accessory for FCY2436L (adds 2.5" to height)
- FCY-SBK24²** Surface bracket kit for FCY0815L and FCY1524L (adds 2.5" to height)
- FCY-SBK36²** Surface bracket kit for FCY2436L (adds 2.5" to height)
- FCY-WG15³** Wire guard accessory for FCY0815L
- FCY-WG24³** Wire guard accessory for FCY1524L
- FCY-WG36³** Wire guard accessory for FCY2436L
- FCY-SENSOR** Field installed microwave sensor
- FCY-REMOTE** Remote hand-held programmer for FCY-SENSOR



Features

- Die formed sheet metal housing and end plates.
- Corrosion resistant gloss white paint after fabrication finish.
- V-hooks and 40" chains supplied (set of 2) for installation.
- Lumen maintenance up to 70% (L70) at 100,000 hours.
- Luminaire comes standard as field installable sensor ready. Sensor sold separately. See page 2 for sensor information.
- Access plate located on top of housing for easy wiring.
- Frosted acrylic diffuser provides wide light distribution and superior glare control.
- Field CCT selectable for 4000K or 5000K. Factory default setting is 4000K.
- Complies with FCC Rules and Regulations Part 15 Subpart B Class A.
- Field selectable lumens. Factory default setting is highest lument output.
- Driver surge protection is 6kV L-N and 6kV LN-GND.
- cULus listed for use in damp locations
- Components are RoHS compliant
- DesignLights Consortium qualified. Please see the DLC QPL list for exact catalog numbers (<http://www.designlights.org/QPL>)
- Five year limited luminaire warranty. Visit www.signify.com/warranties for complete warranty information.

Ambient Temperature Data

Configuration	Standard Ambient
FCY0815L8CST-UNV	-40°C to 50°C
FCY0815L8CST-UN3	-40°C to 50°C
FCY1524L8CST-UNV	-40°C to 45°C
FCY1524L8CST-UN3	-40°C to 45°C
FCY2436L8CST-UNV	-30°C to 45°C
FCY2436L8CST-UN3	-30°C to 45°C

Emergency Battery

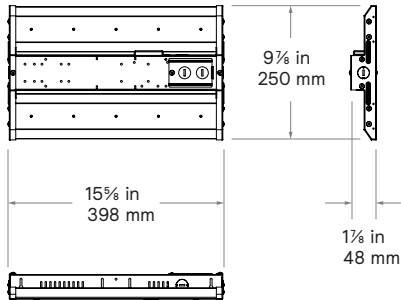
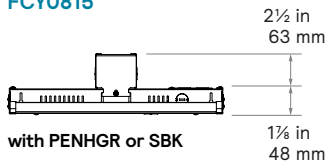
Configuration	Battery Wattage	Estimated Lumens
FCY0815L8CST-UNV/UN3	8W	1200
FCY1524L8CST-UNV/UN3	15W	2250
FCY2436L8CST-UNV/UN3	24W	3600

FCY LED Value High Bay

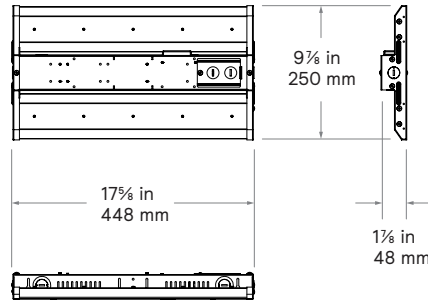
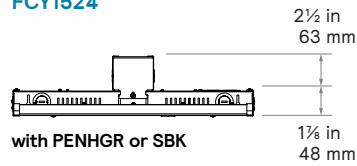
8,000 to 36,000 lumens

Dimensions

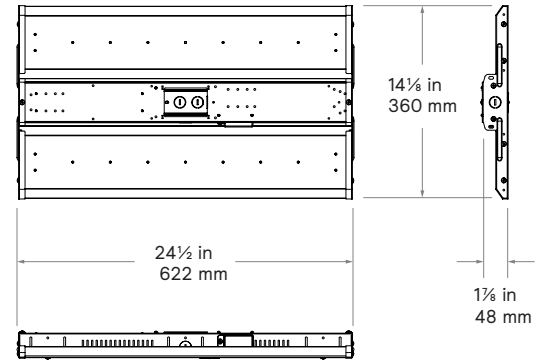
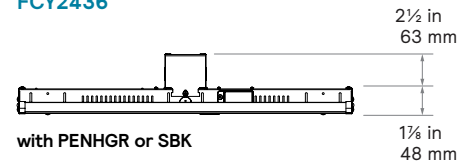
FCY0815



FCY1524

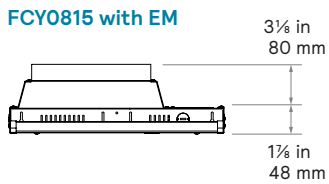


FCY2436

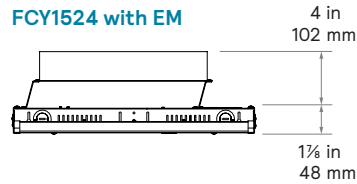


Dimensions (emergency)

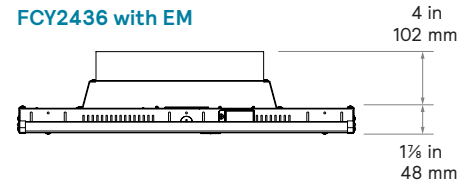
FCY0815 with EM



FCY1524 with EM



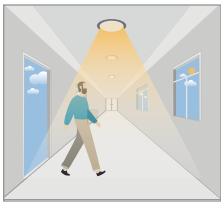
FCY2436 with EM



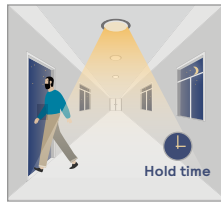
FCY LED Value High Bay

8,000 to 36,000 lumens

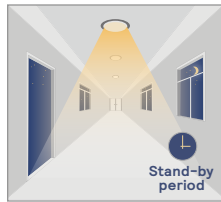
Motion Detection Operation



Sensor turns ON light when motion is detected.



Sensor keeps for a hold time period after motion leaves.

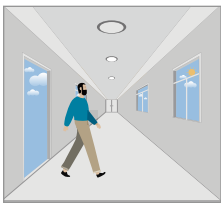


Sensor dims light to standby dimming level after hold time if there is still no motion.

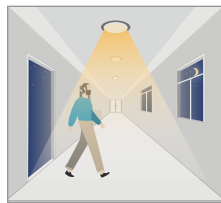


Sensor turns OFF light after standby period.

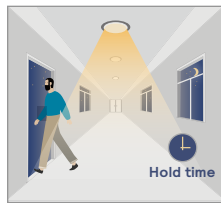
Daylight Operation



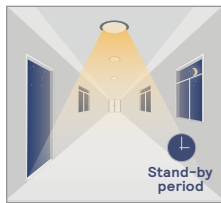
With sufficient daylight, the sensor keeps light OFF even motion gets detected.



With insufficient daylight, the sensor turns light ON when motion gets detected.



After there's no motion detected, the sensor keeps light ON 100% for holdtime.



After holdtime, sensor dims light to standby dimming level for standby period. If standby period has been set as 0s, sensor turns light OFF automatically after holdtime.

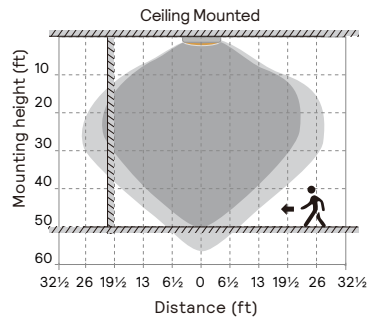


The sensor turns OFF light automatically after the standby period when there's no motion detected.

Microwave Sensor

- Field installed into sensor socket
- Microwave sensor with motion and daylighting
- Maximum mounting height: 49ft
- Handheld remote programmer used to change settings

- Default Settings:
 Hold Time: 5 seconds
 Standby Dim Level: 10%
 Standby Time: 0 seconds
 Daylighting: Disabled



FCY LED Value High Bay

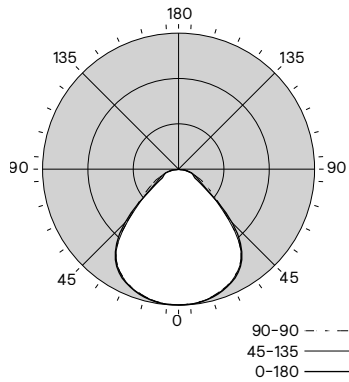
8,000 to 36,000 lumens

Photometry

FCY2436L8CST-UNV-DIM-24L-4000K

Luminaire Lumens 24860
 Luminaire Efficacy Rating (LER) 155
 Total Luminaire Watts 160.5
 Spacing Criterion (0-180) 1.30

	Candela Distribution					Flux Lumens
	0	45	90	135	180	
0	11242	11242	11242	11242	11242	
5	11237	11221	11209	11197	11172	1060
15	10985	10925	10911	10867	10827	3066
25	10367	10320	10256	10209	10151	4722
35	9153	9055	9068	8962	8765	5541
45	6333	5902	5917	5752	5730	4479
55	2656	2877	3381	2918	2413	2681
65	1410	1731	2046	1766	1267	1715
75	1101	1129	955	1128	981	1138
85	396	398	503	458	368	425
90	31	37	2	35	30	



Zonal Lumen Summary			
Zone	Lumens	%Fixture	%Lamp
0-30	8848	35.6%	35.6%
0-40	14389	57.9%	57.9%
0-60	21549	86.7%	86.7%
0-90	24827	99.9%	99.9%
90-180	33	0.1%	0.1%
0-180	24860	100%	100%

Avg. Luminance (cd/m ²)			
	0	45	90
45	43365	40512	40517
55	22423	24283	28539
65	16154	19830	23442
75	20599	21112	17863
85	22016	22135	27916

Coefficients of Utilization % (Based on a floor reflectance of 0.2)											
RCR	Pc---	80			70			50			0
	Pw---	70	50	30	10	70	50	30	50	30	10
0	119	119	119	119	116	116	116	111	111	111	100
1	110	106	102	99	107	104	100	99	96	94	86
2	101	94	88	83	99	92	87	89	84	80	74
3	93	84	77	71	91	82	76	80	74	69	65
4	86	76	68	62	84	74	67	72	65	60	57
5	80	68	60	54	78	67	60	65	58	53	50
6	74	62	54	48	73	61	53	59	53	47	45
7	69	57	49	43	68	56	48	55	48	43	40
8	65	52	44	39	63	51	44	50	43	38	36
9	61	48	40	35	59	47	40	46	40	35	33
10	57	45	37	32	56	44	37	43	36	32	30

* Based on a floor reflectance of 0.2

Photometric Test List

Catalog Number	Delivered Lumens	Input Watts	Efficacy
FCY0815L8CST-UNV-DIM-8L-4000K	8508	55.2	154
FCY0815L8CST-UNV-DIM-12L-4000K	12011	80.5	149
FCY0815L8CST-UNV-DIM-15L-4000K	15034	104.0	145
FCY1524L8CST-UNV-DIM-15L-4000K	15846	100.9	157
FCY1524L8CST-UNV-DIM-18L-4000K	18981	123.4	154
FCY1524L8CST-UNV-DIM-24L-4000K	23773	162.4	146
FCY2436L8CST-UNV-DIM-24L-4000K	24860	160.5	155
FCY2436L8CST-UNV-DIM-30L-4000K	30564	202.2	151
FCY2436L8CST-UNV-DIM-36L-4000K	36011	244.6	147

Catalog Number	Delivered Lumens	Input Watts	Efficacy
FCY0815L8CST-UNV-DIM-8L-5000K	8490	55.9	152
FCY0815L8CST-UNV-DIM-12L-5000K	11890	81.8	145
FCY0815L8CST-UNV-DIM-15L-5000K	14678	106.1	138
FCY1524L8CST-UNV-DIM-15L-5000K	15785	102.3	154
FCY1524L8CST-UNV-DIM-18L-5000K	18624	125.0	149
FCY1524L8CST-UNV-DIM-24L-5000K	23222	165.4	140
FCY2436L8CST-UNV-DIM-24L-5000K	24780	163.4	152
FCY2436L8CST-UNV-DIM-30L-5000K	29995	206.2	145
FCY2436L8CST-UNV-DIM-36L-5000K	35186	250.3	141

© 2026 Signify Holding. All rights reserved. The information provided herein is subject to change, without notice. Signify does not give any representation or warranty as to the accuracy or completeness of the information included herein and shall not be liable for any action in reliance thereon. The information presented in this document is not intended as any commercial offer and does not form part of any quotation or contract, unless otherwise agreed by Signify.



Signify North America Corp.
 400 Crossing Blvd, Suite 600
 Bridgewater, NJ 08807
 Telephone: 800-555-0050

Signify Canada Ltd.
 281 Hillmount Road,
 Markham, ON, Canada L6C 2S3
 Telephone: 800-668-9008

All trademarks are owned by Signify Holding or their respective owners.