

DESCRIPTION

The computer designed optics and multiple beam spreads make the EGL the economical choice for sports facilities.

Catalog #		Type
Project		
Comments		Date
Prepared by		

SPECIFICATION FEATURES

Construction

HOUSING: Rugged aluminum ballast housing finished in corrosion-resistant dark bronze powder coat. U.L. Listed for wet location. **AIMING QUADRANT:** Vertical aiming quadrant with repositioning stop combines with horizontal aiming protractor to allow pre-aiming while pole is on the ground.

Electrical

BALLAST: Isolated ballast/capacitor compartment provides cooler operation and extended component life. **SOCKET:** Die-cast socket housing with dacron gasket which allows unit to "breathe", filtering out contaminants.

Optical

REFLECTOR: Computer designed spun-aluminum reflector produces repeatable beam distribution. **LENS:** 1/8" tempered, heat- and shock-resistant lens sealed with closed-cell neoprene gasketing protects optics from dust and contaminants and is hinged for easy access.

Mounting

Mounts using 5/8", 2-3/4" threaded bolt.

Finish

Finished in corrosion-resistant dark bronze polyester powder coat.

Efficiency Standards Notice
Select luminaires are manufactured to USA and California efficiency regulations.



EGL SPORTS FLOODLIGHT

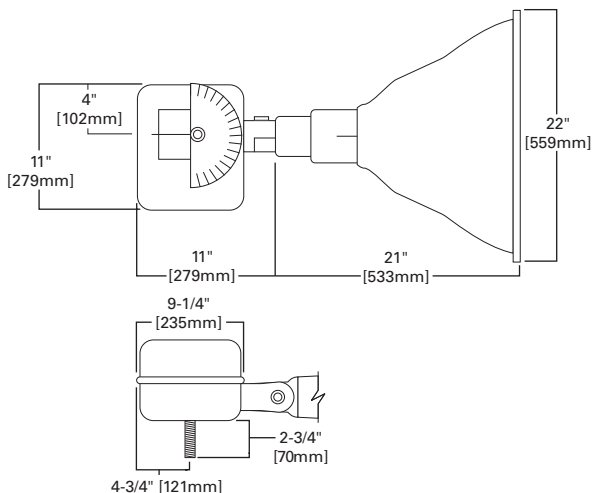
1000W

High Pressure Sodium
Pulse Start Metal Halide

SPORTS FLOODLIGHTING

Discontinued
01-13-2022

DIMENSIONS



ENERGY DATA

CWA Ballast Input Watts
1000W HP HPF (1100 Watts)
1000W MP HPF (1080 Watts)

EPA

Effective Projected Area:
2.2 Square Feet

SHIPPING DATA

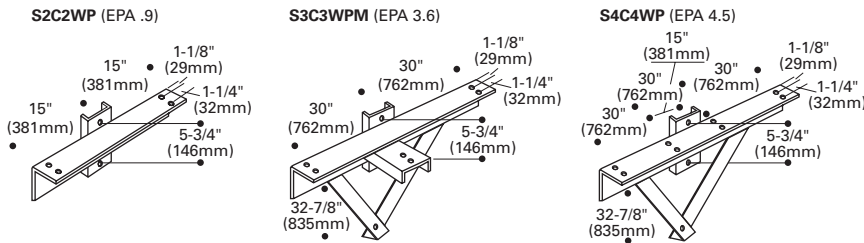
Approximate Net Wt:
51 lbs. (23 kgs.)



PHOTOMETRICS (COMPLETE IES FILES AVAILABLE AT WWW.COOPERLIGHTING.COM)

NEMA Lamp Wattage	Lamp Type	Beam Type	Beam Spread H x V	Definition of NEMA Beam Type Classification	
1000	HPS	3	44° x 44°		
1000	HPS	4	62° x 62°		
1000	HPS	5	100° x 100°		
1000	HPS	6	106° x 106°		
1000	MP	2	26° x 26°	Type	Beam Spread
1000	MP	3	30° x 30°	2	18° up to 29°
1000	MP	4	58° x 58°	3	29° up to 46°
1000	MP	5	90° x 90°	4	46° up to 70°
1000	MP	6	116° x 116°	5	70° up to 100°
				6	100° up to 130°

MOUNTING ACCESSORIES (MOUNTING HARDWARE NOT INCLUDED)



ORDERING INFORMATION

Product Family	Lamp Wattage	Lamp Type	Ballast Type	Voltage	Distribution	Options (Add as Suffix)
EGL=Sports Floodlight ¹	91=1000W	S=High Pressure Sodium ² P=Pulse Start Metal Halide	W=CWA	2=120V 0=208V 4=240V 7=277V 8=480V F=120/240V wired 120V W=Multi-Tap, wired 120V N=Multi-Tap, wired 277V	22=2x2 33=3x3 44=4x4 55=5x5 66=6x6	1=Single Fuse (120, 277 or 347V) 2=Double Fuse (208, 240 or 480V)

NOTES:
 1. Not recommended for aiming above horizontal.
 2. Not available in 2 x 2 distribution.

Discontinued
01-13-2022