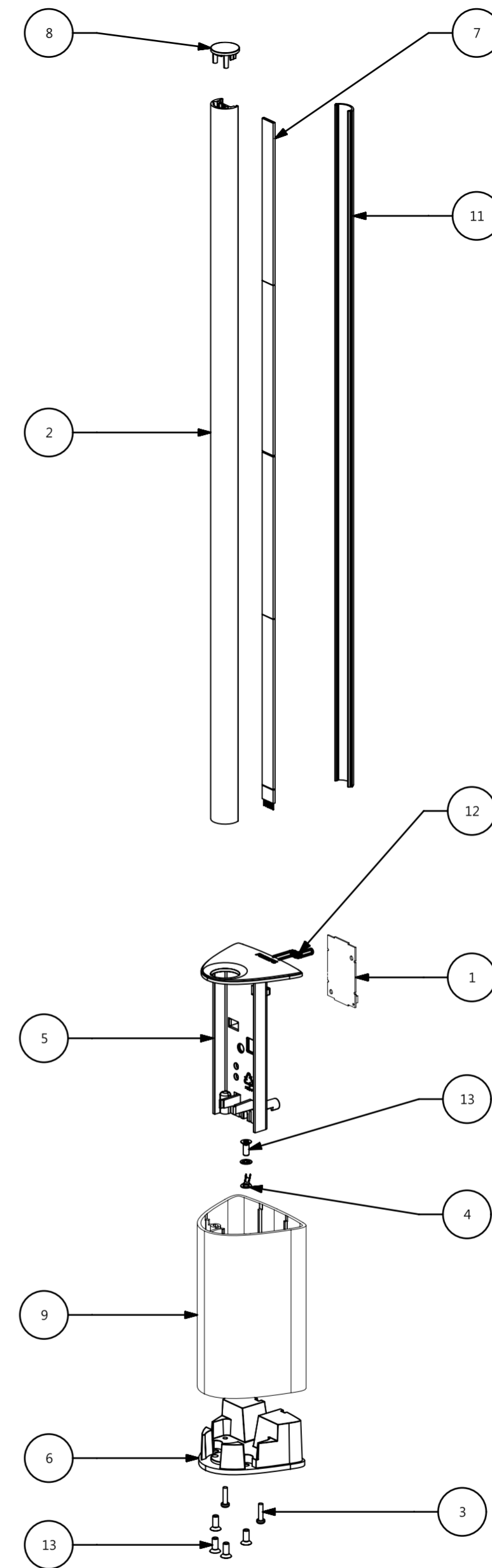


Warnings
 Always make sure the luminaire is detached from the mains socket
 Always make sure the DC cable is detached from the power supply
 Staring at the operating light source may cause eye injury

#	Disassemble/dismantle steps	Tools needed
a	Unscrew the screws [3].	CROSSHEAD SCREWDRIVER PZ1
b	Unscrew the screws [13]. Pull the tube [2] and frame [5] out of the base [9] and foot [6].	TORXHEAD SCREW DRIVER T20
c	Unplug the flat wire from the light source [7].	-
d	Remove endcap [8] and pull the diffuser [11] out of the tube [2] and remove the light source [7]	-
e	Unplug the cable from Hue connect [1] and release Hue connect [1] from snap in frame [5]	FLATHEAD SCREWDRIVER OR WAGO TOOL #2065
f	Unscrew the screw [13] and release earthing wire [4]	TORXHEAD SCREW DRIVER T20
g	Loosen the wires from the cordset [12] and pull the cordset out of the frame [5].	

#	COMPONENT	QTY	SKU	Color	Country
1	Hue connect	1	915005871501	Aluminium	EU
2	Tube	1			
3	Screws	2			
4	Earthing wire	1			
5	Frame	1			
6	Foot	1			
7	Light Source	1			
8	Endcap	1			
9	Base	1			
10	Hue Connect	1			
11	Diffuser	1			
12	Cordset	1			
13	Screws	5			



STATUS	DESCRIPTION	DESIGN ID	DATE
	Signe Table	01	2022-07-20
		DOC 12NC	
		915005871501	
NAME	IP	LOCAL PART ID	SH. 1
CHECKED	DATE	2022-07-20	SH. 511-1
			A2-L