



Versatile and cost-efficient LED lighting

ClearWay gen2

ClearWay Gen2 enables you to enjoy the benefits of LED technology for urban lighting right from the start. This new second generation of the luminaire builds on the strengths of its predecessor and is designed to further minimize your Total Cost of Ownership. ClearWay Gen2 significantly improves the most important aspects of the street lighting experience compared to conventional urban lighting. Ideal for new streets and for renovating existing installations, this affordable range of urban ClearWay lighting solutions combines clean design, high-quality light with significant energy and maintenance savings. In short, ClearWay Gen2 means good quality light with all the added benefits of LED - energy savings and long lifetime. Offering more benefits, yet packaged in a thinner and lighter design, which makes it easier to install.

Benefits

- A range of benefits packaged in one single luminaire architecture
- Easy to install
- Low initial cost
- Reasonable Total Cost of Ownership
- Signify Service tag (unique QR identification) for maintenance, installation and spare part information

Features

- One flexible design that offers different options depending on application needs
- Includes a dedicated light recipe that preserves dark night skies
- Compact and efficient design
- Tilt regulation with no need to open the cover

ClearWay gen2

Application

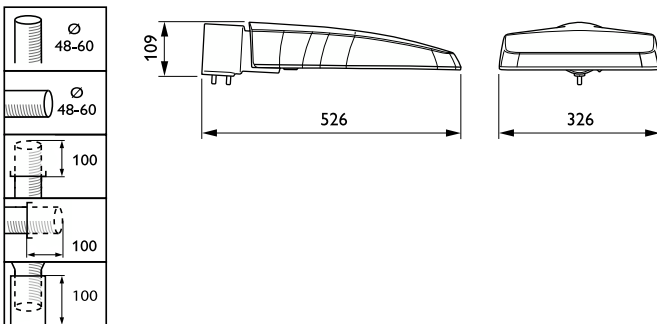
- Urban and residential roads
- Bicycle and pedestrian paths
- Minor roads
- Parking lots

Versions



ClearWay gen2 Performer-BGP307

Dimensional drawing



Polar Wide Diagrams

Polar Normal (separate) - BGP307I -
910925865134

