



Power your road lighting by solar energy – UniStreet gen2 Solar

UniStreet gen2 Solar

Designed for large-scale projects, our luminaire is the ideal solution for municipalities who seek to meet their sustainability goals. Thanks to its energy efficiency and low initial cost, UniStreet gen2 Solar enables a fast payback and significant energy savings in a short period of time. All, by using the free, abundant solar power. UniStreet gen2 Solar, comes with several different optics and lumen packages customized to fit exact project requirements. Thanks to Service tag, you will enjoy the benefits of hassle free installation and maintenance while at the end of its lifetime our luminaire is ready to be dismantled and recycled. The compact luminaire, using high-quality materials is also easy to dismantle and recycle at the end of its lifetime

Benefits

- Compatible with a wide range of PHILIPS Solar sub-systems which include Battery, PV Panel, and Charge Controller for both OFF-Grid and HY-Brid power options
- 1 to 1 replacement for conventional luminaires
- High energy efficiency
- Low TCO (Total Cost of Ownership)
- Made of high-quality materials for longer lifetime and minimized maintenance

UniStreet gen2 Solar

Features

- Dedicated Philips Solar sub-systems like Charge Controller, Battery, PV panel, connecting cables with IP67 connectors enabling faster, safer, installation and maintenance
- Wide application coverage thanks to numerous different optics, extensive range of flux and tillable spigot
- Easy luminaire identification and hassle-free maintenance thanks to Service tag
- Equipped with dedicated light recipes that help with:
 - 1) Maintaining an optimal ecosystem for bats
 - 2) Preserving a dark night sky and reduce light pollution
- Increased shock resistance with optional IK09 glass cover

Application

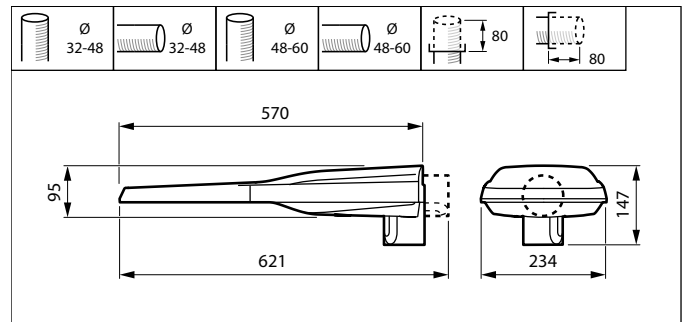
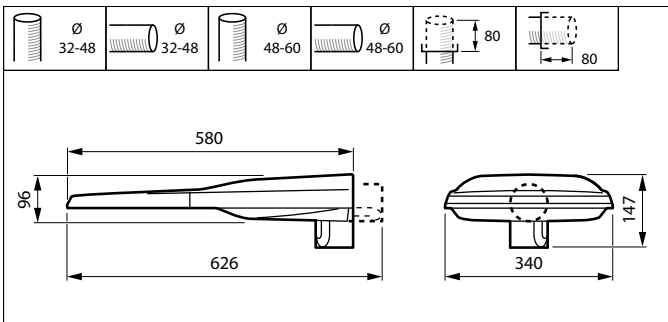
- Ring Roads
- Cycle paths
- Residential areas
- Peripheral roads

Versions



UniStreet gen2 Mini Solar

Dimensional drawing



UniStreet gen2 Solar

Product details

UniStreet gen2 Medium Solar



UniStreet gen2 Mini Solar



Bottom view for spigot regulation and screw



UniStreet gen2 Mini Solar



UniStreet gen2 Medium Solar

UniStreet gen2 Mini Solar



General Information

CE mark	Yes
Driver included	No
Flammability mark	For mounting on normally flammable surfaces
Light source replaceable	Yes

Light Technical

Luminaire light beam spread	155° x 86°
Optical cover type	Flat glass
Optic type outdoor	Distribution medium 10
Standard tilt angle side entry	0°
Standard tilt angle posttop	-
Upward light output ratio	0

Controls and Dimming

Dimmable	Yes
----------	-----

Mechanical and Housing

Housing Color	Gray
---------------	------

Approval and Application

Mech. impact protection code	IK08
Ingress protection code	IP66
Surge Protection (Common/Differential)	-

General Information

Order Code	Full Product Name	Product family code
910925868304	VGP282 40 4S/730 24V III DM10 48/60S	VGP282
910925868305	VGP282 40 4S/830 24V III DM10 48/60S	VGP282
910925868306	VGP282 40 4S/740 24V III DM10 48/60S	VGP282
910925868307	VGP283 80 4S/730 48V III DM10 48/60S	VGP283
910925868308	VGP283 80 4S/830 48V III DM10 48/60S	VGP283
910925868309	VGP283 80 4S/740 48V III DM10 48/60S	VGP283

Light Technical

Order Code	Full Product Name	Light source color	Correlated		
			Color Temperature (Nom)	Color rendering index (CRI)	Number of light sources
910925868304	VGP282 40 4S/730 24V III DM10 48/60S	730 warm white	3000 K	>70	1
910925868305	VGP282 40 4S/830 24V III DM10 48/60S	830 warm white	3000 K	>80	1
910925868306	VGP282 40 4S/740 24V III DM10 48/60S	740 neutral white	4000 K	>70	1

Order Code	Full Product Name	Light source color	Correlated		
			Color Temperature (Nom)	Color rendering index (CRI)	Number of light sources
910925868307	VGP283 80 4S/730 48V III DM10 48/60S	730 warm white	3000 K	>70	2
910925868308	VGP283 80 4S/830 48V III DM10 48/60S	830 warm white	3000 K	>80	2
910925868309	VGP283 80 4S/740 48V III DM10 48/60S	740 neutral white	4000 K	>70	2

