



Illuminating with Style

TownGlow LED Post Top

Exquisite, stylish yet classic design to beautify your space. State-of-the-art LEDs and drivers ensure better lighting performance and reliability. Comfort and safety for urban. Future-oriented

Benefits

- Urban and residential streets must create public realms that let people interact with each other and the environment. Make your streets better places to live, work and play with well-designed night-time lighting. Key Trends
- Night-time economy
- Quality environment
- Reduction of carbon footprint
- Road safety and street security

Features

- Perfect homogeneous lighting without any shadows cast.
- Glare free effect with excellent visual comfort
- Professional design to ensure reliability
- A sustainable and future proof choice

Application

- Urbans And Residential
- Bridges
- Squares and Pedestrianways
- Railways and motorways
- Bikes and pedestrian ways

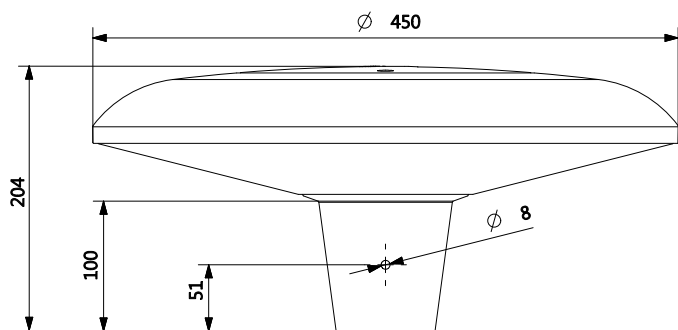
TownGlow LED Post Top

Versions



TownGlow Post Top BGP300

Dimensional drawing



TownGlow LED Post Top

General Information

| | |
|-------------------|---|
| Driver included | Yes |
| Flammability mark | For mounting on normally flammable surfaces |

Light Technical

| | |
|---------------------------------|-----------------------------------|
| Luminaire light beam spread | 120° |
| Optical cover type | UV stabilized Polycarbonate cover |
| Color rendering index (CRI) | ≥70 |
| Luminous Efficacy (rated) (Nom) | 110 lm/W |
| Optic type outdoor | Distribution symmetrical |

Temperature

| | |
|---------------------------|---------------|
| Ambient temperature range | +10 to +35 °C |
|---------------------------|---------------|

Controls and Dimming

| | |
|----------|-----|
| Dimmable | Yes |
|----------|-----|

Mechanical and Housing

| | |
|---------------|-----------|
| Housing Color | Dark gray |
|---------------|-----------|

Approval and Application

| | |
|--|-----------------------------------|
| Mech. impact protection code | IK10 |
| Ingress protection code | IP66 |
| Surge Protection (Common/Differential) | Surge protection level until 4 kV |

Light Technical

| Order Code | Full Product Name | Light source color | Correlated Color | | Luminous Flux |
|--------------|-----------------------------------|--------------------|-------------------|--|---------------|
| | | | Temperature (Nom) | | |
| 919515814025 | BGP300 LED28 757 PSU PC IN S1 | 757 cool white | 5700 K | | 2,800 lm |
| 919515814026 | BGP300 LED28 740 PSU PC IN S1 | 740 neutral white | 4000 K | | 2,800 lm |
| 919515814027 | BGP300 LED26 730 PSU PC IN S1 | 730 warm white | 3000 K | | 2,600 lm |
| 919515814028 | BGP300 LED40 757 PSU PC IN S1 | 757 cool white | 5700 K | | 4,000 lm |
| 919515814029 | BGP300 LED40 740 PSU PC IN S1 | 740 neutral white | 4000 K | | 4,000 lm |
| 919515814030 | BGP300 LED37 730 PSU PC IN S1 | 730 warm white | 3000 K | | 3,700 lm |
| 919515814031 | BGP300 LED50 757 PSU PC IN S1 | 757 cool white | 5700 K | | 5,000 lm |
| 919515814032 | BGP300 LED50 740 PSU PC IN S1 | 740 neutral white | 4000 K | | 5,000 lm |
| 919515814033 | BGP300 LED47 730 PSU PC IN S1 | 730 warm white | 3000 K | | 4,700 lm |
| 919515814034 | BGP300 LED28 757 PSU PC SPD IN S1 | 757 cool white | 5700 K | | 2,800 lm |
| 919515814035 | BGP300 LED28 740 PSU PC SPD IN S1 | 740 neutral white | 4000 K | | 2,800 lm |
| 919515814036 | BGP300 LED26 730 PSU PC SPD IN S1 | 730 warm white | 3000 K | | 2,600 lm |
| 919515814037 | BGP300 LED40 757 PSU PC SPD IN S1 | 757 cool white | 5700 K | | 4,000 lm |
| 919515814038 | BGP300 LED40 740 PSU PC SPD IN S1 | 740 neutral white | 4000 K | | 4,000 lm |
| 919515814039 | BGP300 LED37 730 PSU PC SPD IN S1 | 730 warm white | 3000 K | | 3,700 lm |
| 919515814040 | BGP300 LED50 757 PSU PC SPD IN S1 | 757 cool white | 5700 K | | 5,000 lm |
| 919515814041 | BGP300 LED50 740 PSU PC SPD IN S1 | 740 neutral white | 4000 K | | 5,000 lm |
| 919515814042 | BGP300 LED47 730 PSU PC SPD IN S1 | 730 warm white | 3000 K | | 4,700 lm |

Operating and Electrical

| Order Code | Full Product Name | Power Consumption | Order Code | Full Product Name | Power Consumption |
|--------------|-------------------------------|-------------------|--------------|-----------------------------------|-------------------|
| 919515814025 | BGP300 LED28 757 PSU PC IN S1 | 25 W | 919515814034 | BGP300 LED28 757 PSU PC SPD IN S1 | 25 W |
| 919515814026 | BGP300 LED28 740 PSU PC IN S1 | 25 W | 919515814035 | BGP300 LED28 740 PSU PC SPD IN S1 | 25 W |
| 919515814027 | BGP300 LED26 730 PSU PC IN S1 | 25 W | 919515814036 | BGP300 LED26 730 PSU PC SPD IN S1 | 25 W |
| 919515814028 | BGP300 LED40 757 PSU PC IN S1 | 35 W | 919515814037 | BGP300 LED40 757 PSU PC SPD IN S1 | 35 W |
| 919515814029 | BGP300 LED40 740 PSU PC IN S1 | 35 W | 919515814038 | BGP300 LED40 740 PSU PC SPD IN S1 | 35 W |
| 919515814030 | BGP300 LED37 730 PSU PC IN S1 | 35 W | 919515814039 | BGP300 LED37 730 PSU PC SPD IN S1 | 35 W |
| 919515814031 | BGP300 LED50 757 PSU PC IN S1 | 45 W | 919515814040 | BGP300 LED50 757 PSU PC SPD IN S1 | 45 W |
| 919515814032 | BGP300 LED50 740 PSU PC IN S1 | 45 W | 919515814041 | BGP300 LED50 740 PSU PC SPD IN S1 | 45 W |
| 919515814033 | BGP300 LED47 730 PSU PC IN S1 | 45 W | 919515814042 | BGP300 LED47 730 PSU PC SPD IN S1 | 45 W |

TownGlow LED Post Top

