



Lumière
1250 Calle Suerte
Camarillo, CA 93012
PH: 805-484-7713
FX: 805-445-7693



www.COOPERLIGHTING.com

INSTALLATION INSTRUCTIONS: WESTWOOD 901, 903, 901-2, 903-2

WARNING:

WIRING AND INSTALLATION MUST BE PERFORMED BY A QUALIFIED ELECTRICIAN ONLY. TURN POWER OFF BEFORE INITIAL INSTALLATION, SERVICING, MAINTENANCE AND RELAMPING.

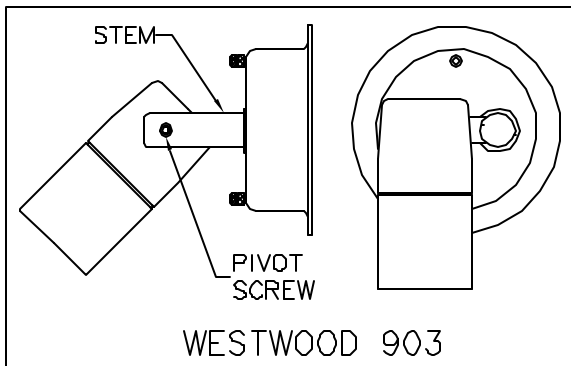
FIXTURES SHOULD ALWAYS BE INSTALLED IN ACCORDANCE WITH LOCAL AND NATIONAL ELECTRIC CODES.

THIS IS A 120V FIXTURE.

USE UL LISTED WATERPROOF WIRE CONNECTORS: CAT NUMBER KING-T6, MANUFACTURED BY KING TECHNOLOGY, INC. OR EQUIVALENT.

DO NOT INSTALL THIS FIXTURE IN ANY COMBUSTIBLE MATERIALS.

SIMILAR FIXTURE DESIGNS EXIST FOR USE WITH MR11 LAMPS:
WESTWOOD 901 AND 901-2.



INSTALLATION INSTRUCTIONS:

MOUNTING TO JUNCTION BOX:

1. ATTACH UNIVERSAL MOUNTING PLATE TO RECESSED JUNCTION BOX USING THE TWO SCREWS (INCLUDED IN PARTS BAG). MAKE SURE THAT FIXTURE STEMS ARE ALIGNED HORIZONTALLY.
2. PULL SUPPLY WIRES THROUGH ADAPTER PLATE. CONNECT 120V SUPPLY WIRES TO THE FIXTURE WIRES: BLACK TO BLACK, WHITE TO WHITE, GREEN (GROUND) TO GREEN.
3. ATTACH THE FIXTURE AND COVER WITH COVER GASKET SECURELY TO THE JUNCTION BOX.

TO ADJUST FIXTURE AIMING:

LOOSEN PIVOT SCREW WITH ALLEN WRENCH PROVIDED, AIM FIXTURE. TIGHTEN THE SCREW.

LAMP:

FOR 901: 12 V, 35 WATT MAX MR11 BI-PIN HALOGEN LAMP.

FOR 901-2: (2) 12 V, 35 WATT MAX MR11 BI-PIN HALOGEN LAMP.

FOR 903: 12 V, 50 WATT MAX MR16 BI-PIN HALOGEN LAMP.

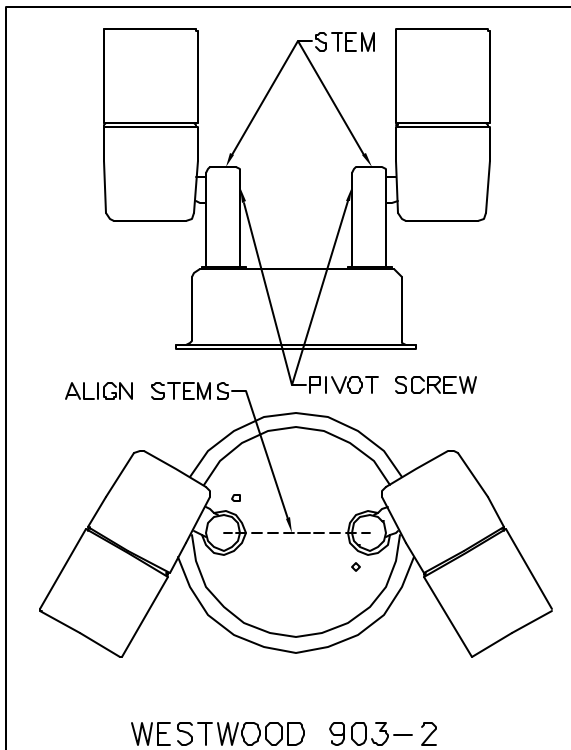
FOR 903-2: (2) 12 V, 50 WATT MAX MR16 BI-PIN HALOGEN LAMP.

CHECK PACKAGE AND FIXTURE LABELING FOR PROPER LAMP TYPE AND WATTAGE.

TO RELAMP:

MR11 AND MR16 BI-PIN : UNSCREW THE HOOD, PULL LAMP OUT. PUSH NEW LAMP IN.

SCREW THE HOOD BACK ON. MAKE SURE THAT HOOD SITS SNUGLY ON O-RING FOR A WATERTIGHT SEAL.



Lumière COOPER Lighting

Cooper Lighting - Lumière reserves the right to make design changes without notice.

DWG No.

2785

REV.

B

SHEET 1 OF 1