

Day-Brite / CFI OWL LED wraparound is the ideal surface mount general illumination luminaire for light commercial and residential applications. The high efficiency LED light engine provides exceptional performance coupled with quality visual light.

Project: _____
 Location: _____
 Cat.No: _____
 Type: _____
 Lamps: _____ Qty: _____
 Notes: _____

Ordering guide

Example: OWL240L840-UNV-DIM

Series	Length	Lumen Package ²	Color Temp.	Voltage	Driver
OWL			–	–	
OWL OW LED wraparound	2 2' length	30L 3000 lumens 40L 4000 lumens	830 80 CRI, 3000K 835 80 CRI, 3500K	UNV Universal voltage 120/277V 347 347V	DIM Non-dim ⁴ 0-10v dimming driver SDIM ³ Step dimming to 40% input power EM10 ⁵ Integral emergency battery pack GLR Fusing, fast blow BAC ⁶ Meets the requirements of the Buy American Act of 1933 (BAA) BABAF ⁶ Meets the requirements of the Build America Buy America Act for projects funded through FHWA that are obligated before October 1, 2026, and meets the Buy America preferences for FTA
	4 4' length	40L 4000 lumens	840 80 CRI, 4000K		
	8 8' length	50L ³ 5000 lumens 60L ³ 6000 lumens 70L ³ 7000 lumens	850 80 CRI, 5000K		

Footnotes

- 8' tandem units are double nominal lumens shown. Available in 50L (10,000lm) and 70L (14,000lm) flux packages
- Nominal total delivered lumens
- SDIM option not available on 50L and 70L flux options
- Non-Dim driver option available only on the 2' 3000lm OWL230L.
- EM10 option not available for 347V 5000lm, 7000lm, 8' 10,000lm and 8' 14,000lm, and 2' models
- Failure to properly select the "BAC" suffix could result in you receiving product that is not BAA compliant product with no recourse for an RMA or refund. This BAC designation hereunder does not address (i) the applicability of, or availability of a waiver under, the Trade Agreements Act, or (ii) the "Buy America" domestic content requirements imposed on states, localities, and other non-federal entities as a condition of receiving funds administered by the Department of Transportation or other federal agencies.
- Consult Genlyte to confirm whether specific accessories are BAA-compliant.
- Failure to properly select the "BAC" suffix could result in you receiving product that is not BAA compliant product with no recourse for an RMA or refund. This BAC designation hereunder does not address (i) the applicability of, or availability of a waiver under, the Trade Agreements Act, or (ii) the "Buy America" domestic content requirements imposed on states, localities, and other non-federal entities as a condition of receiving funds administered by the Department of Transportation or other federal agencies. Genlyte's products with a BAC option code designation are manufactured in the US and utilize a BAA COTS exemption rule for compliance. "BABAF" designates the product will meet the standards set by FHWA for BABA and FTA for Buy America. As noted, for FHWA BABA compliance, applicable projects must be funded by October 1, 2026.

Accessories⁷ (order separately) Replacement Lenses

- | | |
|--|--------------------------------|
| CS-400 – Rigid Canopy | 2' OWLED824 |
| CS-500 – 42° Top Swivel Canopy | 4' OWLED848 |
| CS-12 – 12" Stem | 8' OWLED848 (2/fixture) |
| CS-18 – 18" Stem | |
| CS-24 – 24" Stem | |
| CS-30 – 30" Stem | |
| CS-36 – 36" Stem | |
| CS-48 – 48" Stem | |
| MD360 – 120/277V field installed occupancy sensor | |
| MD360-347 – 347V field installed occupancy sensor | |

Stems 3/8" Trade Size (5/8" O.D.).
 Will Work with 1/2" trade size K.O.'s.
 Locknuts included.

OWL LED wraparound

2', 4', or 8', 3000, 4000, 5000, or 7000 lumens

Features

- Tapered shape provides appearance of reduced depth.
- Durable 100% frost acrylic lens shields LEDs from direct view.
- Unique 2' 4000lm configuration can displace a 4' 2x28W T5 fluorescent with 50% smaller carbon footprint.
- 8' tandem 10,000lm (50L) and 14,000lm (70L) units ideal for larger applications.
- Long life LEDs provide 50,000 hours (L70)¹ maintenance free system life.
- Ceiling or suspended mounting.
- Snap in LED pan and driver support is tool free for ease of installation.
- Continuous row mountable.
- 5000lm version capable of providing similar light levels to a 2-light 32W T8 strip while using 15% less energy.²
- Continuous 0-10v and 100/40 step dimming options available.
- Minimum operating temperature of -20°C.
- Enclosed lens minimizes penetration of dust, insects and other debris into the lamp compartment.
- Fully enclosed wiring and LED diodes.
- 5 year manufacturer's limited warranty.^{1,3}

Finish

- Housing and end plates are multi-stage phosphate treated for maximum corrosion resistance and finish coat is high reflectance baked white enamel.

Shielding

- Pattern 12 prismatic acrylic diffuser is specially designed to provide peak performance while minimizing pixilated glare.

Electrical

- LED boards and drivers are RoHS (Restriction of Hazardous Substances) compliant.
- High power factor solid state driver available with non-dimming, 0-10V dimming, and 100/40 step dimming options.
- Total system life rated at 50,000 hours.
- Maximum ambient temperature of 25°C.
- Suitable for cold locations – minimum ambient temperature of -20°C.

Materials

- Heavy gauge cold rolled steel housing, end plates, and LED pan.

Labels

- cETLus listed.
- Suitable for damp locations.
- Many luminaire components, such as reflectors, refractors, lenses, sockets, lampholders, and LEDs are made from various types of plastics which can be adversely affected by airborne contaminants. If sulfur based chemicals, petroleum based products, cleaning solutions, or other contaminants are expected in the intended area of use, consult factory for compatibility.

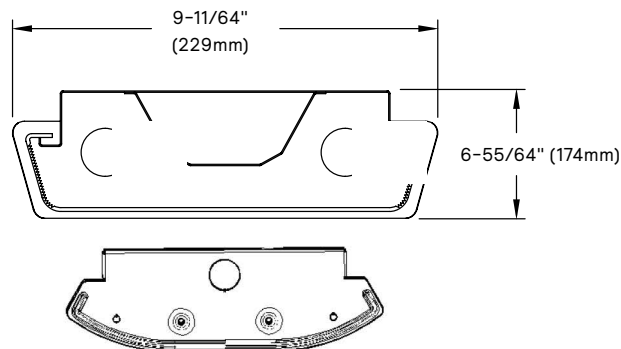
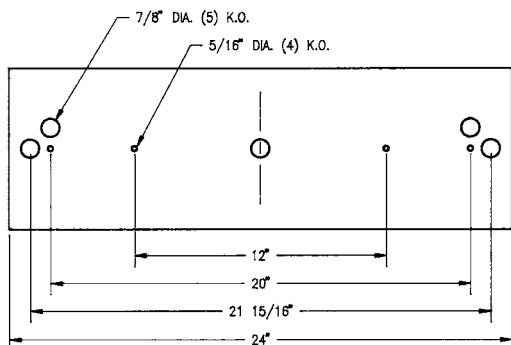
Footnotes:

1. Based on 25°C ambient operating temperature.
2. OWL450L840 input power is 53W vs a 2-light F32T8 HPF ballast at 277V drawing 62W.
3. Visit www.signify.com/warranties for complete warranty information.

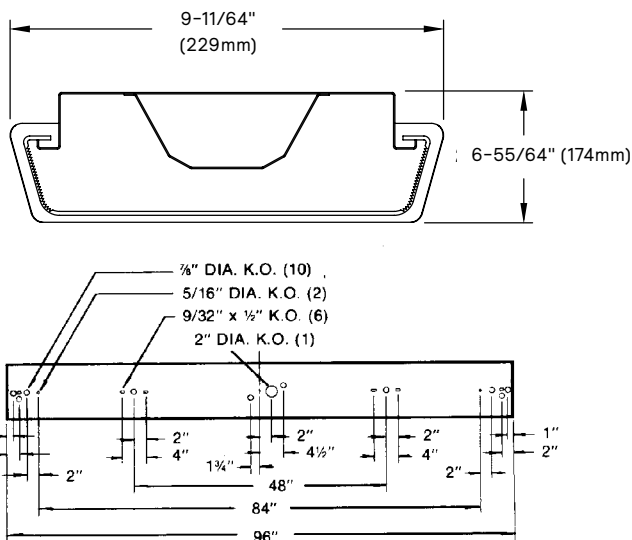
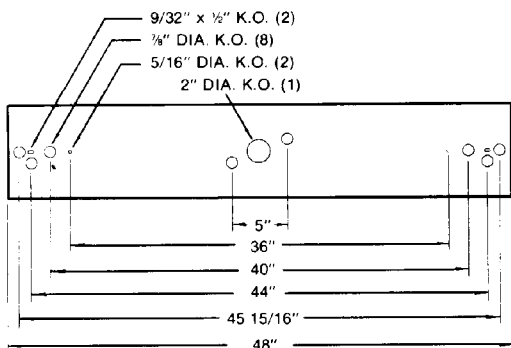
OWL LED wraparound

2', 4', or 8', 3000, 4000, 5000, or 7000 lumens

Dimensions 2'



Dimensions 4' & 8'



Energy Data

Model	Initial Delivered Lumens @ 25°C Ambient	Input Power	Lumens per Watt
OWL430L8840UNV	3000	26.08	115
OWL860L8840UNV	6000	52.16	115