

MAZDA LED Recessed Spot RS25 I Mounting instruction



IEC 60598



Ta 25°C

Max. 40°C
Min. -20°C

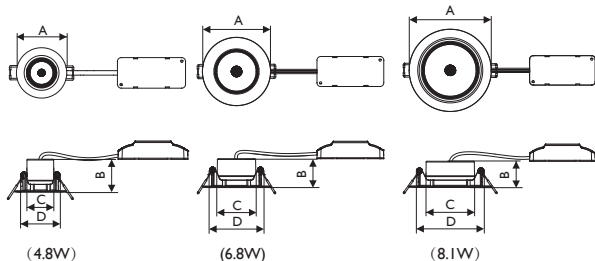


Model Name	Lum. Power	Total Lumen	MBCP	Beam Angle	CCT	CRI	Vol./Freq.	Classification	kg
9290022560	4.8W	370lm	1850	24°	2700K	90	220-240V ~, 50/60Hz	Class II	0.105
9290022561	4.8W	410lm	2050	24°	4000K	90	220-240V ~, 50/60Hz	Class II	0.105
9290022562	4.8W	370lm	810	36°	2700K	90	220-240V ~, 50/60Hz	Class II	0.105
9290022563	4.8W	410lm	900	36°	4000K	90	220-240V ~, 50/60Hz	Class II	0.105
9290022564	6.8W	550lm	2260	24°	2700K	90	220-240V ~, 50/60Hz	Class II	0.137
9290022565	6.8W	600lm	2460	24°	4000K	90	220-240V ~, 50/60Hz	Class II	0.137
9290022566	6.8W	550lm	1400	36°	2700K	90	220-240V ~, 50/60Hz	Class II	0.137
9290022567	6.8W	600lm	1530	36°	4000K	90	220-240V ~, 50/60Hz	Class II	0.137
9290022568	8.1W	670lm	2680	24°	2700K	90	220-240V ~, 50/60Hz	Class II	0.17
9290022569	8.1W	770lm	3080	24°	4000K	90	220-240V ~, 50/60Hz	Class II	0.17
9290022570	8.1W	670lm	1810	36°	2700K	90	220-240V ~, 50/60Hz	Class II	0.17
9290022571	8.1W	770lm	2080	36°	4000K	90	220-240V ~, 50/60Hz	Class II	0.17

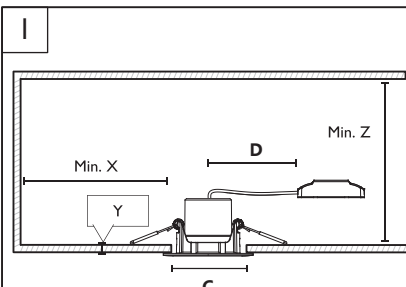
Dimensions

Unit: mm

Model Name	A	B	C	D
9290022560	φ 65	41.5	36.5	51.5
9290022561	φ 65	41.5	36.5	51.5
9290022562	φ 65	41.5	36.5	51.5
9290022563	φ 65	41.5	36.5	51.5
9290022564	φ 90	38	56.5	72
9290022565	φ 90	38	56.5	72
9290022566	φ 90	38	56.5	72
9290022567	φ 90	38	56.5	72
9290022568	φ 110	35	75	92
9290022569	φ 110	35	75	92
9290022570	φ 110	35	75	92
9290022571	φ 110	35	75	92



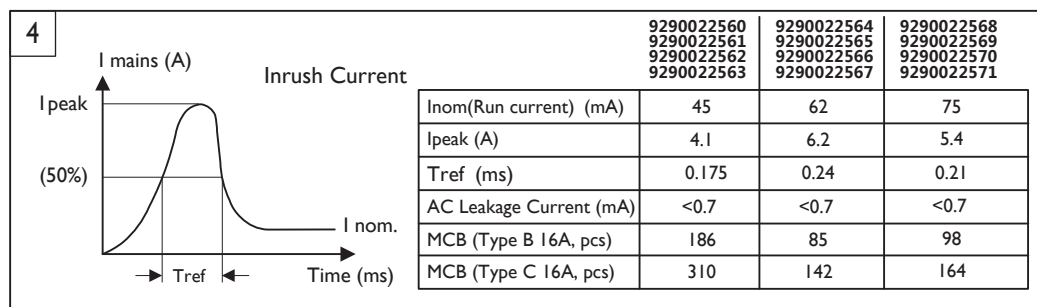
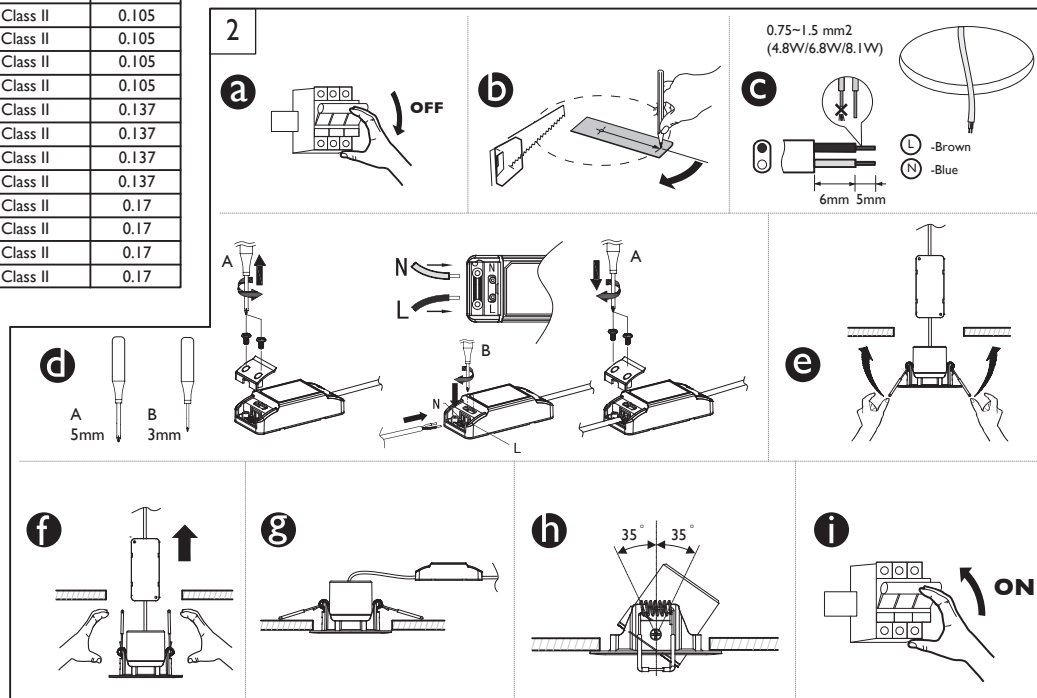
Installation



Unit: mm

Model Name	C(mm)	X(mm)	Y(mm)	Z(mm)	D(mm)
9290022560	φ 55mm ^{+5/-3}	50	0.8-20	50	100
9290022561	φ 55mm ^{+5/-3}	50	0.8-20	50	100
9290022562	φ 55mm ^{+5/-3}	50	0.8-20	50	100
9290022563	φ 55mm ^{+5/-3}	50	0.8-20	50	100
9290022564	φ 75mm ^{+5/-3}	50	0.8-20	50	100
9290022565	φ 75mm ^{+5/-3}	50	0.8-20	50	100
9290022566	φ 75mm ^{+5/-3}	50	0.8-20	50	100
9290022567	φ 75mm ^{+5/-3}	50	0.8-20	50	100
9290022568	φ 95mm ^{+5/-3}	50	0.8-20	50	100
9290022569	φ 95mm ^{+5/-3}	50	0.8-20	50	100
9290022570	φ 95mm ^{+5/-3}	50	0.8-20	50	100
9290022571	φ 95mm ^{+5/-3}	50	0.8-20	50	100

Installation



1. Please read this manual before you start to install the luminaire.

2. The luminaire is complied with IEC60598-1, IEC60598-2-2.

3. The luminaire shall be installed by a qualified electrician according to specified step, and wired in accordance with the latest IEE electrical regulations or the national requirements.

4. TURN OFF the power during installation or maintenance to avoid electrical shock.

5. Luminaire must not be used or stored in corrosive environment where hazardous materials such as Sulphur, Chlorine, Phthalates, etc., are present.



This marking indicates that this product should not be disposed with other household wastes throughout the EU.

To prevent possible harm to the environment or human health from uncontrolled waste disposal, recycle it responsibly to promote the sustainable reuse of material resources. To return your used device, please use the return and collection systems or contact the retailer where the product was purchased. They can take this product for environmental safe recycling.

3241 656 07722

Signify
I.B.R.S. / C.C.R.I. Numéro 10461
5600 VB Eindhoven, the Netherlands