



Day-Brite/CFI FluxPanel Selectable (SBP) is a highly versatile luminaire designed to provide three lumen and three CCT packages per size. Available for use in recessed, suspended, and surface mount applications, the SBP is a versatile luminaire that is ideal for general lighting applications such as open office, schools, healthcare, and retail.

Project: _____
 Location: _____
 Cat.No: _____
 Type: _____
 Qty: _____
 Notes: _____



Ordering guide

| Size | Family | Selectable Lumens (nom.) | Selectable CCT | Length | Driver | | Options |
|------|--------|----------------------------|------------------------------------|-----------|-------------------------------|--------------|---|
| | | | | | UNV | DIM | |
| 1x4 | 1SBP | 2035L 2400/3500/4000 lm | 8DS CRI 80 3500K/4000K/5000K | 4 4 ft | UNV Universal, 120-277V | DIM 0-10V | F2/5W¹ F2/6W² EM10RM 3/8" Flex, 18 ga., 6', 5-wire (dimming) 3/8" Flex, 18 ga., 6', 6-wire (dimming, emergency) Bodine 10W battery pack with remote mounted test switch |
| 2x2 | 2SBP | 2035L 2700/3800/4500 lm | 8CS CRI 80 3500K/4000K/5000K | 2 2 ft | | | |
| 2x4 | 2SBP | 3050L 3900/5500/6700 lm | 8CS CRI 80 3500K/4000K/5000K | 4 4 ft | | | |

Accessories (order separately)

- FPEMLED10RM** 10W Emergency Driver Kit (field assembled)
- FMA14** 1'x4' "F" mounting frame for NEMA "F" mounting
- FMA22** 2'x2' "F" mounting frame for NEMA "F" mounting
- FMA24** 2'x4' "F" mounting frame for NEMA "F" mounting
- DSRT-CKT-NP** Selectable Suspension Kit with no Power
- DSRT-CKT-WP** Selectable Suspension Kit with Power
- FPSMF14** 1'x4' surface mount field assembly kit (field assembled)
- FPSMF22** 2'x2' surface mount field assembly kit (field assembled)
- FPSMF24** 2'x4' surface mount field assembly kit (field assembled)
- FSK14** 1'x4' surface mount field installation kit (factory welded seams)
- FSK22** 2'x2' surface mount field installation kit (factory welded seams)
- FSK24** 2'x4' surface mount field installation kit (factory welded seams)

Footnotes

1. F2/5W not available with EM10RM
2. F2/6W only available with EM10RM

| Size | Lumens (nom.) | CRI 80, 3500K | | | CRI 80, 4000K | | | CRI 80, 5000K | | |
|------|---------------|---------------|-----------|-----------------|---------------|-----------|-----------------|---------------|-----------|-----------------|
| | | Lumens (lm) | Power (W) | Efficacy (lm/W) | Lumens (lm) | Power (W) | Efficacy (lm/W) | Lumens (lm) | Power (W) | Efficacy (lm/W) |
| 1x4 | 2400 | 2282 | 18 | 124 | 2417 | 18 | 135 | 2364 | 18 | 128 |
| | 3500 | 3360 | 29 | 115 | 3632 | 28 | 129 | 3491 | 29 | 120 |
| | 4000 | 3811 | 34 | 111 | 4033 | 33 | 123 | 3847 | 34 | 112 |
| 2x2 | 2700 | 2548 | 20 | 128 | 2638 | 19 | 135 | 2569 | 20 | 128 |
| | 3800 | 3673 | 29 | 127 | 3825 | 28 | 136 | 3664 | 29 | 124 |
| | 4500 | 4148 | 33 | 125 | 4331 | 32 | 135 | 4116 | 34 | 122 |
| 2x4 | 3900 | 3849 | 30 | 128 | 4049 | 29 | 138 | 4023 | 30 | 134 |
| | 5500 | 5253 | 41 | 128 | 5523 | 40 | 139 | 5418 | 41 | 132 |
| | 6700 | 6504 | 52 | 124 | 6796 | 50 | 135 | 6721 | 52 | 129 |

Not all product variations listed on page are DLC qualified. To ensure that a specific model is qualified, visit www.designlights.org/search



SBP FluxPanel Selectable

Field Selectable Lumens & CCT

Application

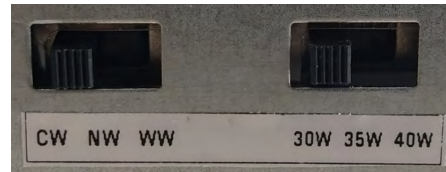
- Overall 1-1/2" deep luminaire, including driver box, provides minimal intrusion into the plenum space.
- Even distribution of light on the lens provides exceptionally low glare gradient minimizing distractions at the ceiling plane.
- General light distribution creates uniform horizontal and vertical illuminance on the work plane and limits scalloping on the walls.
- Excellent consistency of correlated color temperature (CCT) per ANSI C78.377.
- CRI 80 minimum color rendering with balanced spectrum.
- Designed for use with standard Grid (NEMA "G") or Narrow Grid (NEMA "NFG") ceiling T-bars. Drywall or plaster application require use with the FMA "F" mounting frame accessory (sold and shipped separately).
- Accessory field install kits available for surface (FPSMF and FSK) mounting.

Construction/Finish

- Die formed driver box with standard access plate for ease of wiring, provides tool-free access to driver(s) from above.
- Back lit LED arrays with optics provide highly efficient and unpixelated transfer of light to the lens.
- Integral clips accommodate definitive attachment to T-bar grid for recessed applications.
- Die formed surface box accessory kit post painted gloss white enamel.

Field Selectable CCT and Wattage

- CCT can easily be selected in the field between 5000K (CW); 4000K (NW); 3500K (WW).
- Wattage selection allows for easy field selection between three lumen packages (see performance chart for details).
- Factory default settings noted in image below:



Electrical

- \geq 125 lm/W efficacy.
- Driver featuring high power factor (>0.90), 120-277V 60/50Hz, and less than 15% THD.
- Minimum start temperature -20°C (-4°F).
- Standard configurations are 0-10V dimming to 5%.
- Electromagnetic interference (EMI) compliant to FCC Title 47 Part 15 class A.
- Flicker and stroboscopic effect compliant to NEMA 77-2017.
- TM-21 predicted L70 lumen maintenance up to 67,000 hours per LED manufacturer LM-80 report.
- cULus listed to UL and CSA standards, suitable for damp locations.
- IC rated.
- To predict lumen output in emergency mode, multiply emergency pack wattage by luminaire efficacy, then by 1.10. Typical lumen output is 1200lm for EM10.
- Selectable backlit panel luminaires are Designlights Consortium[®] qualified. Please see the DLC QPL list for exact catalog numbers www.designlights.org/QPL.

Enclosure

- Diffuser provides visual comfort and high efficiency.
- Flat opal diffuser is easy to clean and provides a uniform aesthetic on the ceiling plane.
- Tight enclosure assembly impedes ingress of dust and insects.

General Notes

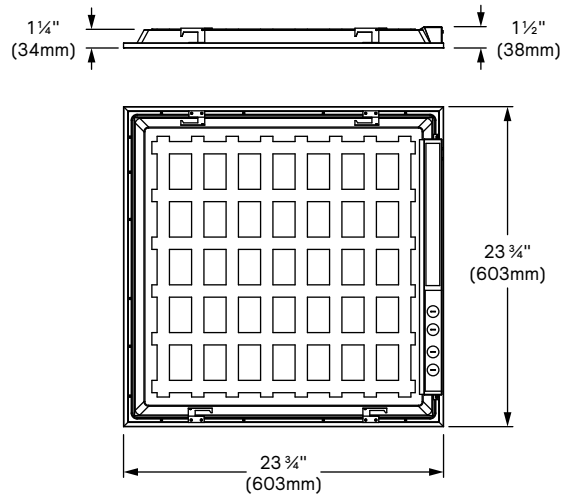
- All accessories are field installed.
- All options are factory installed.
- Declare label certified, ID SGY-0016 ([View full Declare label](#))
- Many luminaire components, such as reflectors, refractors, lenses, sockets, lampholders, and LEDs are made from various types of plastics which can be adversely affected by airborne contaminants. If sulfur based chemicals, petroleum based products, cleaning solutions, or other contaminants are expected in the intended area of use, consult factory for compatibility.
- Five year limited luminaire warranty includes LED boards and driver. Visit www.signify.com/warranties for complete warranty information.

SBP FluxPanel Selectable

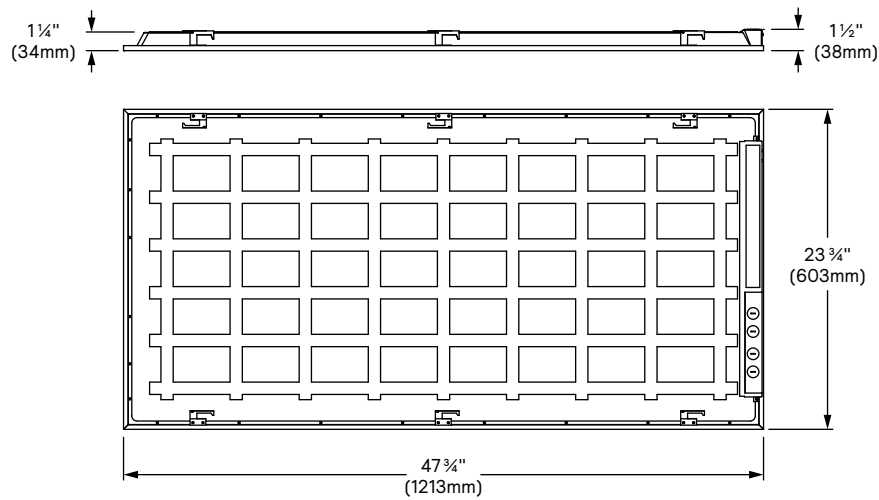
Field Selectable Lumens & CCT

Standard Configurations

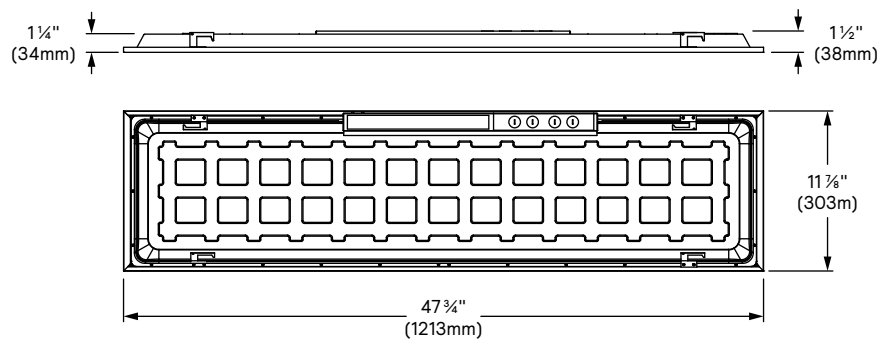
2x2 dimensions



2x4 dimensions



1x4 dimensions

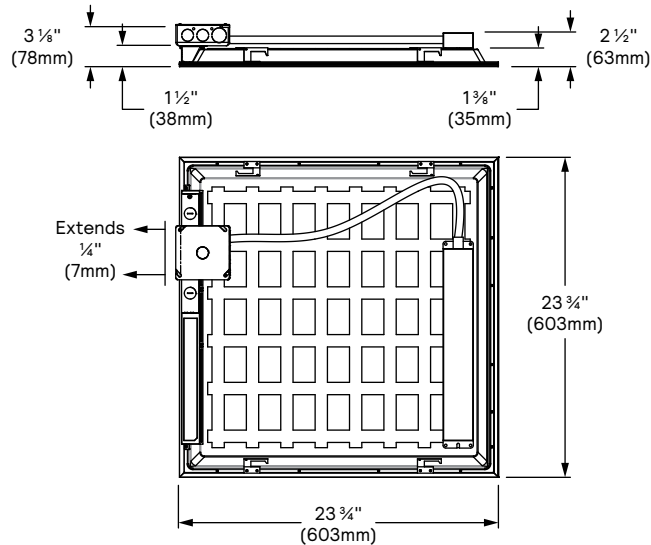


SBP FluxPanel Selectable

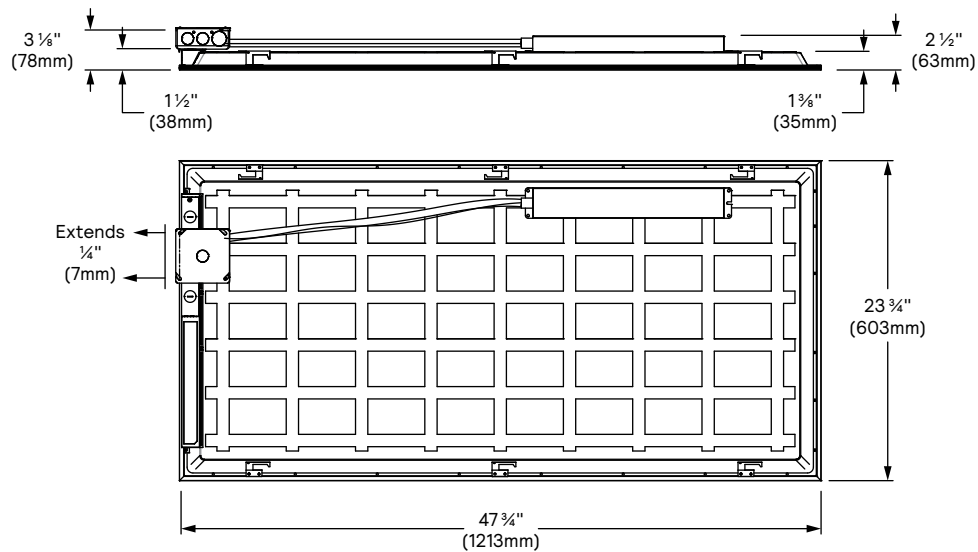
Field Selectable Lumens & CCT

Emergency Configurations

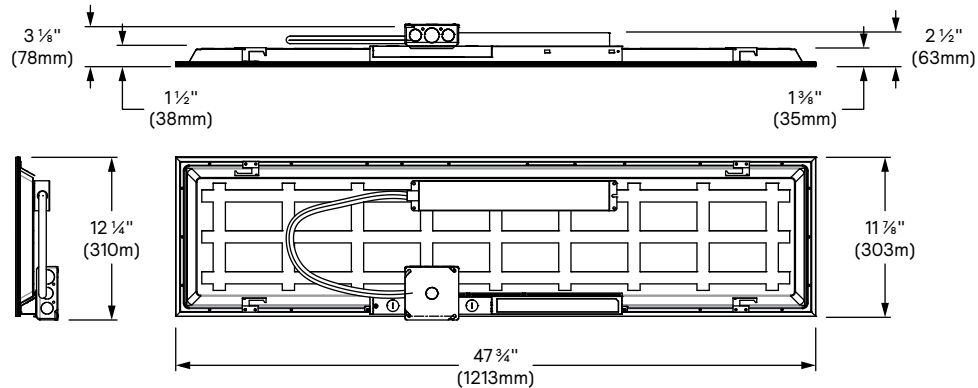
2x2 dimensions



2x4 dimensions



1x4 dimensions



SBP FluxPanel Selectable

Field Selectable Lumens & CCT

Photometry

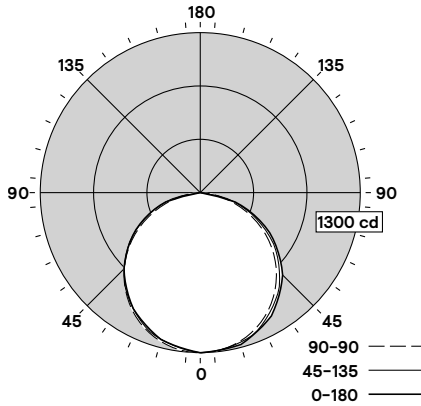
1SBP2035L8DS-4-UNV-DIM 4000K

Luminaire Lumens 4095
 Luminaire Efficacy Rating (LER) 125
 Total Luminaire Watts 32.8
 Spacing Criterion (0-180) 1.27

| Candela Distribution | | | | | | Flux |
|----------------------|------|------|------|------|------|--------|
| | 0 | 22.5 | 45 | 67.5 | 90 | Lumens |
| 0 | 1389 | 1389 | 1389 | 1389 | 1389 | |
| 5 | 1382 | 1385 | 1390 | 1396 | 1396 | 132 |
| 15 | 1337 | 1341 | 1345 | 1353 | 1352 | 380 |
| 25 | 1247 | 1251 | 1256 | 1262 | 1262 | 579 |
| 35 | 1116 | 1119 | 1124 | 1127 | 1125 | 703 |
| 45 | 948 | 950 | 955 | 956 | 955 | 735 |
| 55 | 747 | 749 | 751 | 750 | 749 | 669 |
| 65 | 516 | 518 | 519 | 520 | 520 | 513 |
| 75 | 279 | 280 | 281 | 281 | 281 | 297 |
| 85 | 75 | 76 | 77 | 77 | 76 | 87 |
| 90 | 3 | 4 | 4 | 4 | 5 | |

| Zonal Lumen Summary | | | |
|---------------------|--------|----------|--------|
| Zone | Lumens | %Fixture | %Lamp |
| 0-30 | 1091 | 26.7% | 26.7% |
| 0-40 | 1794 | 43.8% | 43.8% |
| 0-60 | 3198 | 78.1% | 78.1% |
| 0-90 | 4095 | 100.0% | 100.0% |
| 0-180 | 4095 | 100.0% | 100.0% |

| Average Luminance (cd/m²) | | | |
|---------------------------|------|------|------|
| | 0 | 90 | 180 |
| 0 | 4836 | 4836 | 4836 |
| 5 | 4828 | 4855 | 4879 |
| 15 | 4817 | 4848 | 4872 |
| 25 | 4790 | 4824 | 4846 |
| 35 | 4741 | 4778 | 4782 |
| 45 | 4664 | 4702 | 4702 |
| 55 | 4531 | 4554 | 4543 |
| 65 | 4250 | 4274 | 4282 |
| 75 | 3748 | 3774 | 3774 |
| 85 | 2993 | 3070 | 3032 |



| Coefficients of Utilization % | | | | | | | | | | | | | |
|-------------------------------|-----|-----|-----|-----|-----|-----|-----|-----|-----|-----|-----|--|---|
| Pc--- | 80 | | | | 70 | | | | 50 | | | | 0 |
| Pw--- | 70 | 50 | 30 | 10 | 70 | 50 | 30 | 50 | 30 | 10 | 0 | | |
| RCR | | | | | | | | | | | | | |
| 0 | 119 | 119 | 119 | 119 | 116 | 116 | 116 | 111 | 111 | 111 | 100 | | |
| 1 | 109 | 104 | 99 | 95 | 106 | 101 | 97 | 97 | 94 | 91 | 83 | | |
| 2 | 99 | 90 | 83 | 77 | 96 | 88 | 82 | 85 | 79 | 75 | 69 | | |
| 3 | 90 | 79 | 71 | 64 | 87 | 77 | 70 | 74 | 68 | 62 | 58 | | |
| 4 | 82 | 70 | 61 | 54 | 80 | 68 | 60 | 66 | 59 | 53 | 49 | | |
| 5 | 75 | 62 | 53 | 46 | 73 | 61 | 53 | 59 | 51 | 46 | 43 | | |
| 6 | 70 | 56 | 47 | 40 | 68 | 55 | 47 | 53 | 46 | 40 | 37 | | |
| 7 | 64 | 51 | 42 | 36 | 63 | 50 | 42 | 48 | 41 | 35 | 33 | | |
| 8 | 60 | 46 | 38 | 32 | 58 | 46 | 37 | 44 | 37 | 31 | 29 | | |
| 9 | 56 | 42 | 34 | 29 | 55 | 42 | 34 | 41 | 33 | 28 | 26 | | |
| 10 | 52 | 39 | 31 | 26 | 51 | 39 | 31 | 38 | 31 | 26 | 24 | | |

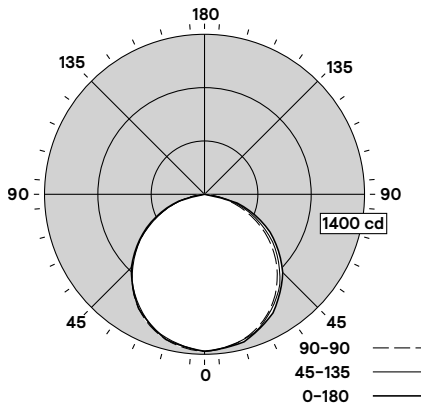
2SBP2035L8CS-2-UNV-DIM 4000K

Luminaire Lumens 3788
 Luminaire Efficacy Rating (LER) 118
 Total Luminaire Watts 32.0
 Spacing Criterion (0-180) 1.26

| Candela Distribution | | | | | | Flux |
|----------------------|------|------|------|------|------|--------|
| | 0 | 22.5 | 45 | 67.5 | 90 | Lumens |
| 0 | 1313 | 1313 | 1313 | 1313 | 1313 | |
| 5 | 1307 | 1306 | 1306 | 1306 | 1306 | 124 |
| 15 | 1264 | 1263 | 1262 | 1262 | 1262 | 356 |
| 25 | 1176 | 1175 | 1175 | 1174 | 1174 | 542 |
| 35 | 1050 | 1049 | 1047 | 1047 | 1048 | 655 |
| 45 | 888 | 886 | 885 | 884 | 884 | 683 |
| 55 | 692 | 690 | 690 | 690 | 691 | 617 |
| 65 | 476 | 475 | 475 | 474 | 475 | 469 |
| 75 | 253 | 252 | 252 | 252 | 253 | 268 |
| 85 | 63 | 63 | 63 | 63 | 63 | 74 |
| 90 | 2 | 2 | 1 | 1 | 1 | |

| Zonal Lumen Summary | | | |
|---------------------|--------|----------|---------|
| Zone | Lumens | %Fixture | %Lamp |
| 0-30 | 1022 | 27.00% | 27.00% |
| 0-40 | 1677 | 44.30% | 44.30% |
| 0-60 | 2977 | 78.60% | 78.60% |
| 0-90 | 3788 | 100.00% | 100.00% |
| 0-180 | 3788 | 100.00% | 100.00% |

| Average Luminance (cd/m²) | | | |
|---------------------------|------|------|------|
| | 0 | 90 | 180 |
| 0 | 4361 | 4361 | 4361 |
| 5 | 4357 | 4354 | 4354 |
| 15 | 4345 | 4338 | 4338 |
| 25 | 4310 | 4307 | 4303 |
| 35 | 4258 | 4243 | 4247 |
| 45 | 4170 | 4157 | 4152 |
| 55 | 4006 | 3995 | 4001 |
| 65 | 3738 | 3731 | 3731 |
| 75 | 3243 | 3231 | 3243 |
| 85 | 2417 | 2417 | 2417 |



| Coefficients of Utilization % | | | | | | | | | | | | | |
|-------------------------------|-----|-----|-----|-----|-----|-----|-----|-----|-----|-----|-----|--|---|
| Pc--- | 80 | | | | 70 | | | | 50 | | | | 0 |
| Pw--- | 70 | 50 | 30 | 10 | 70 | 50 | 30 | 50 | 30 | 10 | 0 | | |
| RCR | | | | | | | | | | | | | |
| 0 | 119 | 119 | 119 | 119 | 116 | 116 | 116 | 111 | 111 | 111 | 100 | | |
| 1 | 109 | 104 | 99 | 96 | 106 | 102 | 98 | 97 | 94 | 91 | 84 | | |
| 2 | 99 | 90 | 83 | 78 | 96 | 88 | 82 | 85 | 80 | 75 | 69 | | |
| 3 | 90 | 79 | 71 | 64 | 87 | 78 | 70 | 75 | 68 | 63 | 58 | | |
| 4 | 82 | 70 | 61 | 54 | 80 | 69 | 60 | 66 | 59 | 53 | 50 | | |
| 5 | 76 | 63 | 54 | 47 | 73 | 61 | 53 | 59 | 52 | 46 | 43 | | |
| 6 | 70 | 56 | 47 | 41 | 68 | 55 | 47 | 54 | 46 | 40 | 37 | | |
| 7 | 65 | 51 | 42 | 36 | 63 | 50 | 42 | 49 | 41 | 36 | 33 | | |
| 8 | 60 | 47 | 38 | 32 | 59 | 46 | 38 | 44 | 37 | 32 | 29 | | |
| 9 | 56 | 43 | 34 | 29 | 55 | 42 | 34 | 41 | 34 | 29 | 26 | | |
| 10 | 53 | 39 | 31 | 26 | 51 | 39 | 31 | 38 | 31 | 26 | 24 | | |

SBP FluxPanel Selectable

Field Selectable Lumens & CCT

Photometry

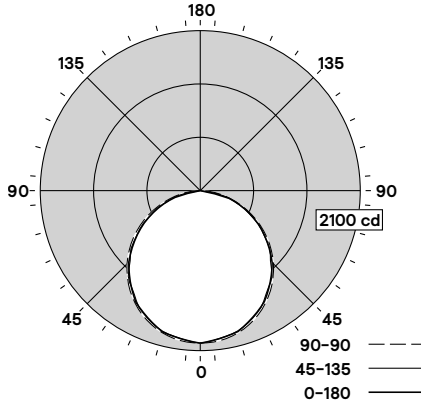
2SBP3050L8CS-4-UNV-DIM 4000K

| | |
|---------------------------------|------|
| Luminaire Lumens | 4721 |
| Luminaire Efficacy Rating (LER) | 127 |
| Total Luminaire Watts | 37.2 |
| Spacing Criterion (0-180) | 1.27 |

| Candela Distribution | | | | | | Flux |
|----------------------|------|------|------|------|------|--------|
| | 0 | 22.5 | 45 | 67.5 | 90 | Lumens |
| 0 | 1628 | 1628 | 1628 | 1628 | 1628 | |
| 5 | 1619 | 1620 | 1624 | 1627 | 1629 | 154 |
| 15 | 1566 | 1567 | 1571 | 1574 | 1575 | 443 |
| 25 | 1461 | 1463 | 1466 | 1467 | 1467 | 675 |
| 35 | 1302 | 1304 | 1306 | 1306 | 1307 | 817 |
| 45 | 1099 | 1100 | 1101 | 1102 | 1103 | 850 |
| 55 | 865 | 864 | 863 | 863 | 862 | 771 |
| 65 | 594 | 593 | 593 | 593 | 592 | 586 |
| 75 | 316 | 315 | 314 | 313 | 311 | 334 |
| 85 | 80 | 80 | 79 | 78 | 77 | 92 |
| 90 | 3 | 3 | 3 | 3 | 3 | |

| Zonal Lumen Summary | | | |
|---------------------|--------|----------|---------|
| Zone | Lumens | %Fixture | %Lamp |
| 0-30 | 1273 | 27.00% | 27.00% |
| 0-40 | 2089 | 44.30% | 44.30% |
| 0-60 | 3709 | 78.60% | 78.60% |
| 0-90 | 4721 | 100.00% | 100.00% |
| 0-180 | 4721 | 100.00% | 100.00% |

| Average Luminance (cd/m ²) | | | |
|--|------|------|------|
| | 0 | 90 | 180 |
| 0 | 2582 | 2582 | 2582 |
| 5 | 2577 | 2585 | 2593 |
| 15 | 2571 | 2579 | 2586 |
| 25 | 2556 | 2564 | 2566 |
| 35 | 2521 | 2528 | 2530 |
| 45 | 2465 | 2470 | 2474 |
| 55 | 2391 | 2386 | 2383 |
| 65 | 2228 | 2225 | 2221 |
| 75 | 1937 | 1925 | 1908 |
| 85 | 1451 | 1434 | 1399 |



| Coefficients of Utilization % | | | | | | | | | | | | | |
|-------------------------------|-----|-----|-----|-----|-----|-----|-----|-----|-----|-----|-----|-----|---|
| Pc--- | 80 | | | | 70 | | | | 50 | | | | 0 |
| Pw--- | 70 | 50 | 30 | 10 | 70 | 50 | 30 | 50 | 30 | 10 | 0 | 0 | |
| RCR | | | | | | | | | | | | | |
| 0 | 119 | 119 | 119 | 119 | 116 | 116 | 116 | 111 | 111 | 111 | 111 | 100 | |
| 1 | 109 | 104 | 99 | 96 | 106 | 102 | 98 | 97 | 94 | 91 | 91 | 83 | |
| 2 | 99 | 90 | 83 | 78 | 96 | 88 | 82 | 85 | 80 | 75 | 69 | 69 | |
| 3 | 90 | 79 | 71 | 64 | 87 | 78 | 70 | 75 | 68 | 63 | 58 | 58 | |
| 4 | 82 | 70 | 61 | 54 | 80 | 69 | 60 | 66 | 59 | 53 | 50 | 50 | |
| 5 | 76 | 63 | 53 | 47 | 73 | 61 | 53 | 59 | 52 | 46 | 43 | 43 | |
| 6 | 70 | 56 | 47 | 41 | 68 | 55 | 47 | 54 | 46 | 40 | 37 | 37 | |
| 7 | 65 | 51 | 42 | 36 | 63 | 50 | 42 | 49 | 41 | 36 | 33 | 33 | |
| 8 | 60 | 46 | 38 | 32 | 59 | 46 | 38 | 44 | 37 | 32 | 29 | 29 | |
| 9 | 56 | 43 | 34 | 29 | 55 | 42 | 34 | 41 | 34 | 29 | 26 | 26 | |
| 10 | 53 | 39 | 31 | 26 | 51 | 39 | 31 | 38 | 31 | 26 | 24 | 24 | |