



Classic LEDspotLV

LEDspots 5-50W MR16 830 60D

LEDspotLV Classic offers an archetypal halogen-like design while delivering the benefits of LED technology, saving around 85% on energy consumption, minimizing maintenance cost, and much more besides. It is compatible with most existing fixtures with a GU 5.3 holder and is designed as a retrofit replacement for halogen or incandescent spots.

Product data

General Information		Input Frequency	
Cap-Base	GU5.3	Input Frequency	- Hz
Nominal lifetime	15,000 hour(s)	Power Consumption	5 W
Switching Cycle	50,000	Lamp Current (Nom)	580 mA
Rated Lifetime (Hours)	15,000 hour(s)	Wattage Equivalent	50 W
Lighting Technology	LED	Starting Time (Nom)	0.5 s
EU RoHS compliant	Yes	Warm-up time to 60% light	0.5 s
		Power Factor (Fraction)	0.6
		Voltage (Nom)	ac electronic 12 V
		Voltage (Nom)	12 V
Light Technical		Temperature	
Color Code	830 [CCT of 3000K]	Ambient temperature range	-20 to +40 °C
Beam Angle (Nom)	60 degree(s)	T-Case Maximum (Nom)	65 °C
Luminous Flux	390 lm		
Luminous Intensity (Nom)	400 cd	Controls and Dimming	
Color Designation	White (WH)	Dimmable	No
Correlated Color Temperature (Nom)	3000 K		
Luminous Efficacy (rated) (Nom)	78 lm/W	Mechanical and Housing	
Color Consistency	<6	Bulb Finish	Clear
Color rendering index (CRI)	80	Bulb Material	Glass
LLMF At End Of Nominal Lifetime (Nom)	70 %	Bulb Shape	MR16
Operating and Electrical			
Line Frequency	- Hz		

Classic LEDspotLV

Approval and Application

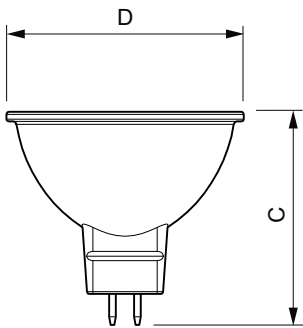
Suitable For Accent Lighting	Yes
Energy Consumption kWh/1000 h	6 kWh

Product Data

Order product name	LEDspots 5-50W MR16 830 60D
Full product name	LEDspots 5-50W MR16 830 60D
Full product code	871869967565300

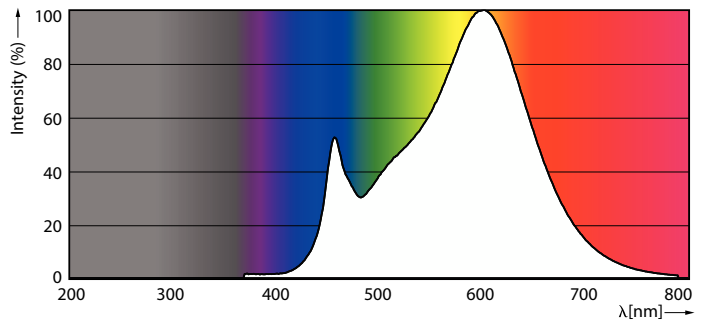
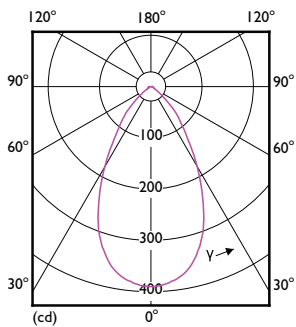
Order code	929001280491
Material Nr. (12NC)	929001280491
Numerator - Quantity Per Pack	1
EAN/UPC - Product/Case	8718699675653
Numerator - Packs per outer box	4
EAN/UPC - Case	8718699675660

Dimensional drawing



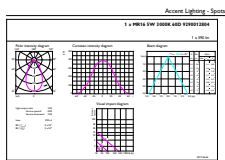
Product	D	C
LEDspots 5-50W MR16 830 60D	50.5 mm	45.5 mm

Photometric data



Light Distribution Diagram - LEDspots 5-50W MR16 830 60D

Spectral Power Distribution Colour - LEDspots 5-50W MR16 830 60D

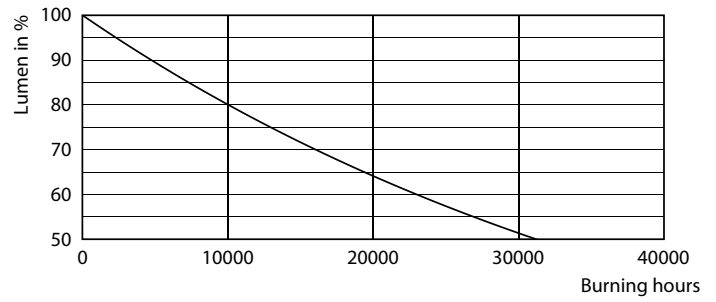


Classic Illumination CV - Accent Lighting LV - Page 11

Accent Lighting Spots - LEDspots 5-50W MR16 830 60D

Classic LEDspotLV

Lifetime



Life Expectancy Diagram - LEDspots 5-50W MR16 830 60D

Lumen Maintenance Diagram

