



# Essential LEDspot MR16

## ESS LEDspot 5W 400lm GU5.3 827 220V

Essential LEDspots MR16 are compatible with most existing fixtures with a GU5.3 socket and are designed as a retrofit replacement for halogen spots. Essential LEDspots MR16 deliver significant energy savings and minimize initial investment.

### Product data

General Information	
Cap-Base	GU5.3 [GU5.3]
Nominal lifetime	10,000 hour(s)
Switching Cycle	50,000
Rated Lifetime (Hours)	10,000 hour(s)
Lighting Technology	LED
EU RoHS compliant	Yes

Light Technical	
Color Code	727 [CCT of 2700K]
Color Code	727 [CCT of 2700K]
Beam Angle (Nom)	120 degree(s)
Luminous Flux	400 lumen
Color Designation	Warm White (WW)
Correlated Color Temperature (Nom)	2700 K
Luminous Efficacy (rated) (Nom)	80.00 lm/W
Color Consistency	<6
Color rendering index (CRI)	70
LLMF At End Of Nominal Lifetime (Nom)	70 %
Flickering value (PstLM)	1
Stroboscopic effect value (SVM)	0.9

Photobiological safety according to EN 62471 RG1	
--	--

Operating and Electrical	
Line Frequency	50 to 60 Hz
Input Frequency	50 to 60 Hz
Power Consumption	5 W
Lamp Current (Nom)	42 mA
Wattage Equivalent	35 W
Starting Time (Nom)	0.5 s
Warm-up time to 60% light	0.5 s
Power Factor (Fraction)	0.5
Voltage (Nom)	220 V

Temperature	
T-Case Maximum (Nom)	70 °C

Controls and Dimming	
Dimmable	No

Mechanical and Housing	
Bulb Finish	Clear

# Essential LEDspot MR16

Bulb Shape	MR16 [2inch/50mm]
------------	-------------------

## Approval and Application

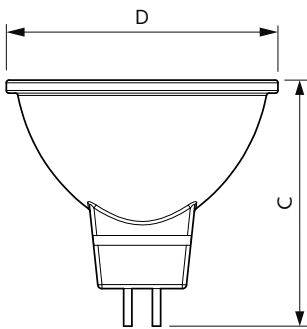
Suitable For Accent Lighting	No
Energy Consumption kWh/1000 h	5 kWh
EyeComfort	Yes

## Product Data

Full product code	871951430239600
Order product name	ESS LEDspot 5W 400lm GU5.3 827 220V

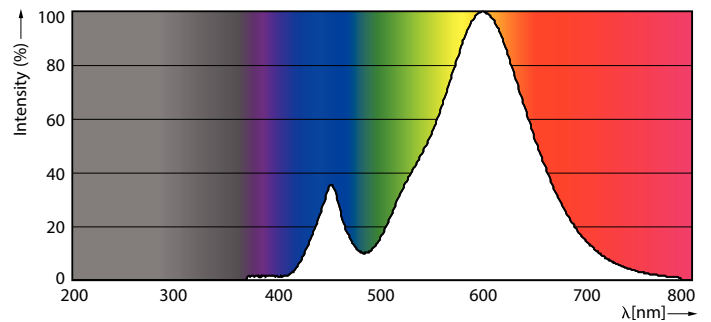
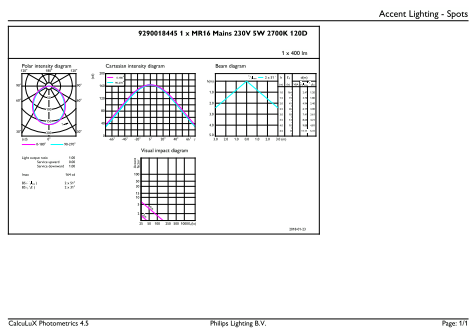
Order code	929001844587
Numerator - Quantity Per Pack	1
Numerator - Packs per outer box	10
Material Nr. (12NC)	929001844587
Full product name	ESS LEDspot 5W 400lm GU5.3 827 220V
EAN/UPC - Case	8719514302402
EAN/UPC - Product/Case	8719514302396

## Dimensional drawing



Product	D	C
ESS LEDspot 5W 400lm GU5.3 827 220V	50.5 mm	46.5 mm

## Photometric data

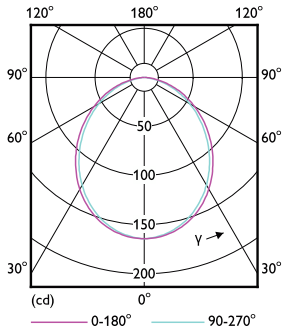


Accent Lighting Spots - ESS LEDspot 5W 400lm GU5.3 827 220V

Spectral Power Distribution Colour - ESS LEDspot 5W 400lm GU5.3 827 220V

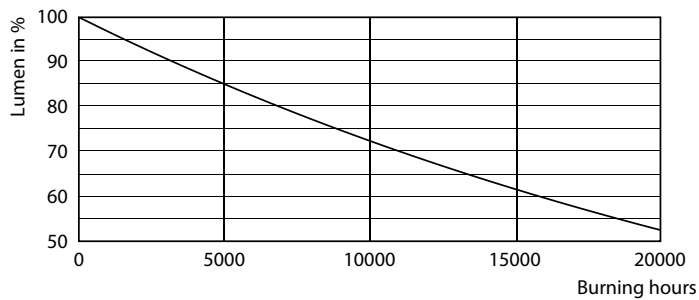
# Essential LEDspot MR16

## Photometric data

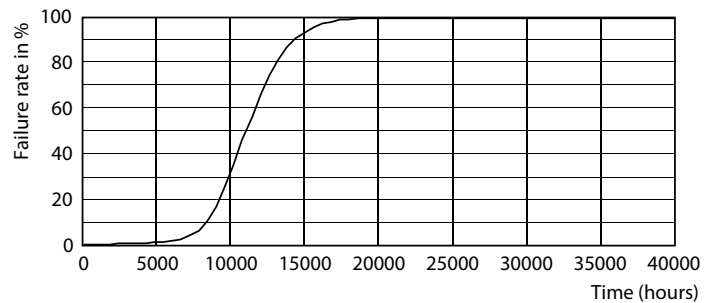


Light Distribution Diagram - ESS LEDspot 5W 400lm GU5.3 827 220V

## Lifetime



Lumen Maintenance Diagram - ESS LEDspot 5W 400lm GU5.3 827 220V



Life Expectancy Diagram - ESS LEDspot 5W 400lm GU5.3 827 220V

