



# LED Designer Deco

## 16UFO/PER/865/FR/P/E26/ND 4/1PF

Philips LED Designer Deco lamps allow you to maintain a warm, classic light or a modern, chic effect while providing longer life and energy savings

### Product data

General information	
Cap-Base	E26 [ Single Contact Medium Screw]
EU RoHS compliant	Yes
Nominal Lifetime (Nom)	15000 h
Switching Cycle	50000
Light technical	
Color Code	865 [ CCT of 6500K]
Beam Angle (Nom)	120 °
Luminous Flux (Nom)	1200 lm
Color Designation	Cool Daylight
Correlated Color Temperature (Nom)	6500 K
Luminous Efficacy (rated) (Nom)	75 lm/W
Color Consistency	<6
Color Rendering Index (Nom)	80
LLMF At End Of Nominal Lifetime (Nom)	70 %
Operating and electrical	
Input Frequency	50 to 60 Hz
Power (Nom)	16 W
Lamp Current (Nom)	230 mA
Wattage Equivalent	75 W
Starting Time (Nom)	0.5 s
Warm Up Time to 60% Light (Nom)	0.5 s
Power Factor (Nom)	0.5

Voltage (Nom)	110-240 V
Temperature	
T-Ambient (Max)	45 °C
T-Ambient (Min)	-20 °C
T-Case Maximum (Nom)	75 °C

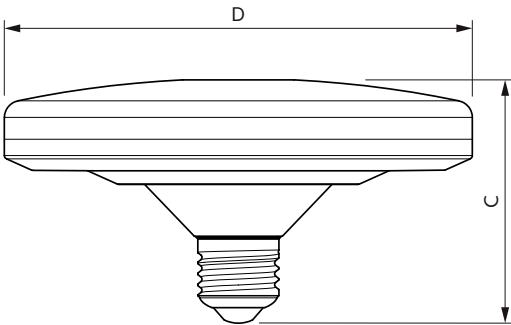
Controls and dimming	
Dimmable	No

Mechanical and housing	
Bulb Finish	Frosted
Bulb Material	Plastic
Bulb Shape	Others

Product data	
Order product name	16UFO/PER/865/FR/P/E26/ND 4/1PF
EAN/UPC - Product	046677571825
Order code	929002010625
Numerator - Quantity Per Pack	1
Numerator - Packs per outer box	4
Material Nr. (12NC)	929002010625
Net Weight (Piece)	0.138 kg

# LED Designer Deco

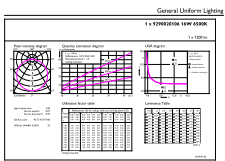
## Dimensional drawing



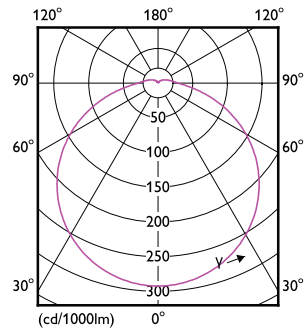
16UFO/PER/865/FR/P/E26/ND 4/1PF

Product	D	C
16UFO/PER/865/FR/P/E26/ND 4/1PF	150 mm	77 mm

## Photometric data

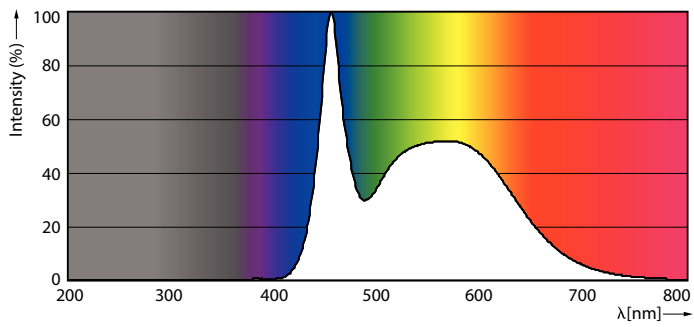


© 2022 Philips Lighting B.V. Page 1/1



## General uniform lighting

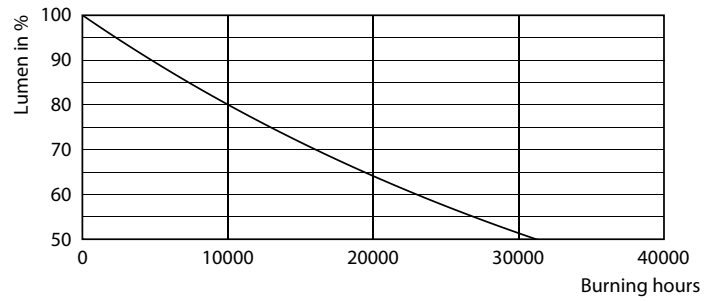
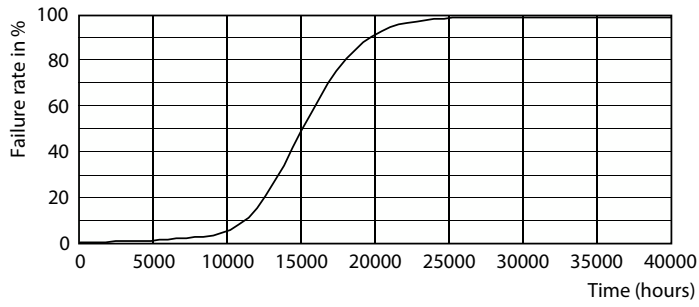
## Light Distribution Diagram



## Spectral Power Distribution Colour

# LED Designer Deco

## Lifetime



Life Expectancy Diagram

Lumen Maintenance Diagram

