



# LED MR16

## 8MR16/LED/840/F25/DIM 12V 10/1FB

Philips LED MR-16 lamps with single optic technology provide the look and color quality of traditional halogens while using a fraction of the energy. A perfect fit for spot lighting, they are compatible with most existing fixtures with MR16 GU5.3 holders and are designed as a retrofit replacement for halogen or incandescent spots.

### Product data

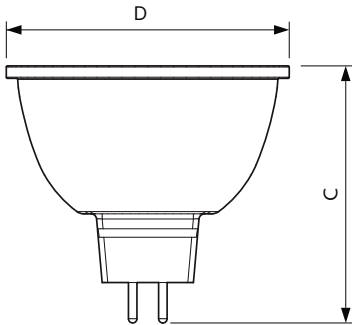
General Information		Power Consumption	
Cap-Base	GU5.3	Power Consumption	8 W
Nominal lifetime	25,000 hour(s)	Lamp Current (Nom)	720 mA
Switching Cycle	50,000	Wattage Equivalent	75 W
Lighting Technology	LED	Starting Time (Nom)	0.5 s
EU RoHS compliant	Yes	Warm-up time to 60% light	0.5 s
Light Technical		Power Factor (Fraction)	0.7
Color Code	840 [CCT of 4000K]	Voltage (Nom)	ac electronic 12 V
Beam Angle (Nom)	25 degree(s)	Temperature	
Luminous Flux	660 lm	T-Case Maximum (Nom)	93 °C
Luminous Intensity (Nom)	3,350 cd	Controls and Dimming	
Color Designation	Cool White (CW)	Dimmable	Only with specific dimmers
Correlated Color Temperature (Nom)	4000 K	Mechanical and Housing	
Luminous Efficacy (rated) (Nom)	82.00 lm/W	Bulb Finish	Clear
Color Consistency	<4	Bulb Material	Aluminum
Color rendering index (CRI)	80	Bulb Shape	MR16
LLMF At End Of Nominal Lifetime (Nom)	70 %	Approval and Application	
Operating and Electrical		Suitable For Accent Lighting	Yes
Line Frequency	- Hz		
Input Frequency	- Hz		

# LED MR16

<b>Energy Certifications</b>	Energy Star
<b>Product Data</b>	
Order product name	8MR16/LED/840/F25/DIM 12V 10/1FB
Full product name	8MR16/LED/840/F25/DIM 12V 10/1FB
Order code	929003076604
Material Nr. (12NC)	929003076604

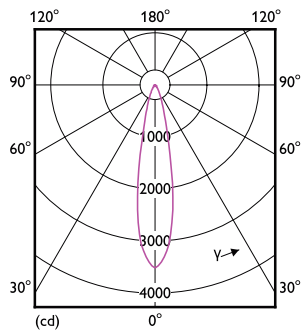
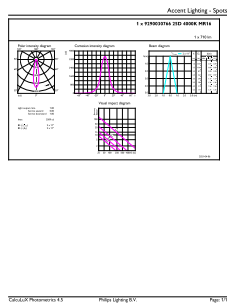
Numerator - Quantity Per Pack	1
EAN/UPC - Product/Case	046677573928
Numerator - Packs per outer box	10
EAN/UPC - Case	50046677573923

## Dimensional drawing



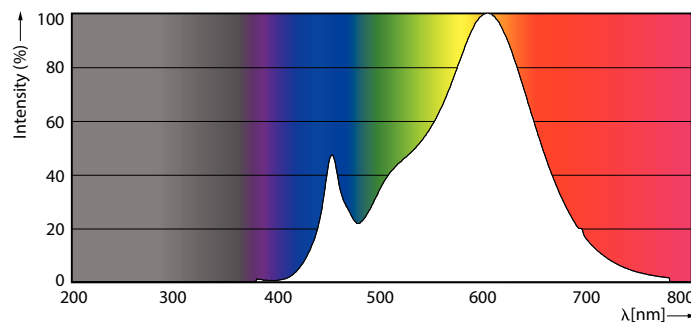
Product	D	C
8MR16/LED/840/F25/DIM 12V 10/1FB	50 mm	46.5 mm

## Photometric data



Accent Lighting Spots - 8MR16/LED/840/F25/DIM 12V 10/1FB

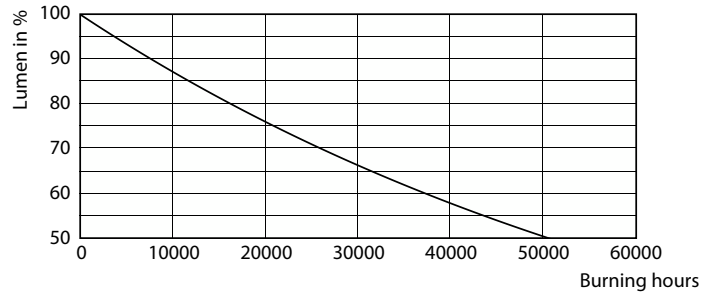
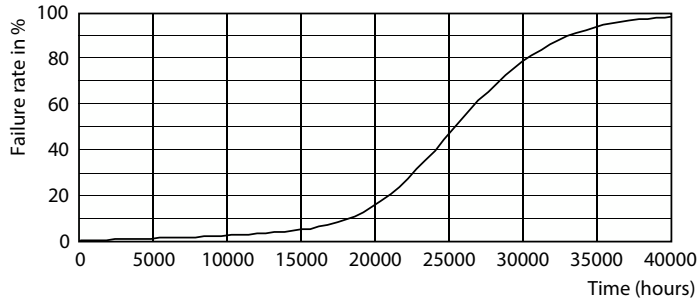
Light Distribution Diagram - 8MR16/LED/840/F25/DIM 12V 10/1FB



Spectral Power Distribution Colour - 8MR16/LED/840/F25/DIM 12V 10/1FB

# LED MR16

## Lifetime



Life Expectancy Diagram - 8MR16/LED/840/F25/DIM 12V 10/1FB

Lumen Maintenance Diagram - 8MR16/LED/840/F25/DIM 12V 10/1FB

