



Essential SmartBright LED spot

LEDSpot 50W DS ND MR16 12V 60D 1CT/6 AU

3CCT dip switch combines 3 color temperature into one lamp and targets retailers who want to keep portfolio on the shelf and the inventory in warehouse as less as possible and ensures end users buy right lamps

Product data

General Information	
Cap-Base	GU5.3
Nominal lifetime	15,000 hour(s)
Switching Cycle	50,000
Rated Lifetime (Hours)	15,000 hour(s)
Lighting Technology	LED
EU RoHS compliant	Yes
Light Technical	
Color Code	3000/4000/6500
Color Code	3000/4000/6500
Beam Angle (Nom)	60 degree(s)
Luminous Intensity (Nom)	430 cd
Color Designation	3000/4000/6500
Correlated Color Temperature (Nom)	3000 4000 6500 K
Luminous Efficacy (rated) (Nom)	110 lm/W
Color Consistency	<6
Color rendering index (CRI)	80
LLMF At End Of Nominal Lifetime (Nom)	70 %

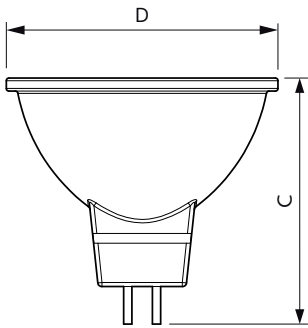
Operating and Electrical	
Line Frequency	- Hz
Input Frequency	- Hz
Power Consumption	5 W
Lamp Current (Nom)	600 mA
Wattage Equivalent	50 W
Starting Time (Nom)	0.5 s
Warm-up time to 60% light	0.5 s
Power Factor (Fraction)	0.5
Voltage (Nom)	ac electronic 12 V
Temperature	
Ambient temperature range	-20 °C to 45 °C
T-Case Maximum (Nom)	68 °C
Controls and Dimming	
Dimmable	No
Mechanical and Housing	
Bulb Finish	Clear
Bulb Material	Plastic

Essential SmartBright LED spot

Bulb Shape	MR16
Approval and Application	
Suitable For Accent Lighting	Yes
EyeComfort	Yes
Product Data	
Order product name	LEDSpot 50W DS ND MR16 12V 60D 1CT/6 AU
Full product name	LEDSpot 50W DS ND MR16 12V 60D 1CT/6 AU

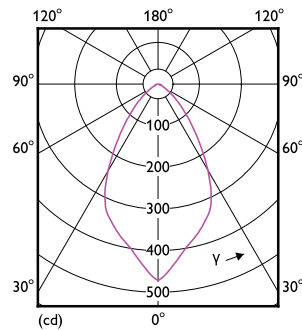
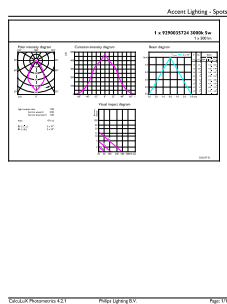
Full product code	871951447903600
Order code	929003572419
Material Nr. (12NC)	929003572419
Numerator - Quantity Per Pack	1
EAN/UPC - Product/Case	8719514479036
Numerator - Packs per outer box	6
EAN/UPC - Case	8719514479043

Dimensional drawing



Product	D	C
LEDSpot 50W DS ND MR16 12V 60D 1CT/6 AU	50 mm	45 mm

Photometric data

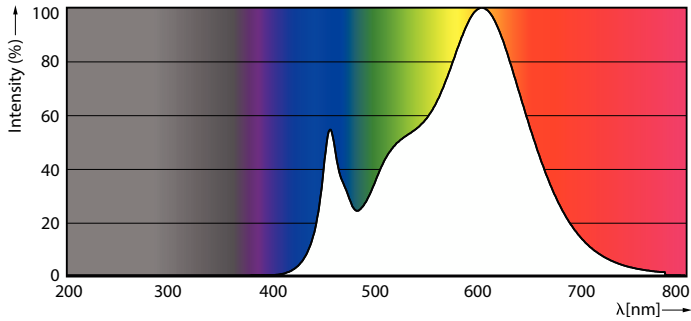


Accent Lighting Spots - LEDSpot 50W DS ND MR16 12V 60D 1CT/6 AU

Light Distribution Diagram

Essential SmartBright LED spot

Photometric data



Spectral Power Distribution Colour - LEDSpot 50W DS ND MR16 12V 60D 1CT/6 AU

Lifetime



Life Expectancy Diagram - LEDSpot 50W DS ND MR16 12V 60D 1CT/6 AU



Lumen Maintenance Diagram - LEDSpot 50W DS ND MR16 12V 60D 1CT/6 AU

